

Quarter-turn locks, stainless steel, long version

Item description/product images



Description

Material:

Housing, stainless steel 1.4305.

Actuation and fastening nut, stainless steel 1.4404.

Version:

Bright.

Note:

The quarter turn lock can be installed pre-assembled. For right or left use. Water and dust protected acc. to IP65 from DIN EN 60529.

Please order required tongue version separately. Every tongue can be combined with every housing.

Drawing reference:

Actuation:

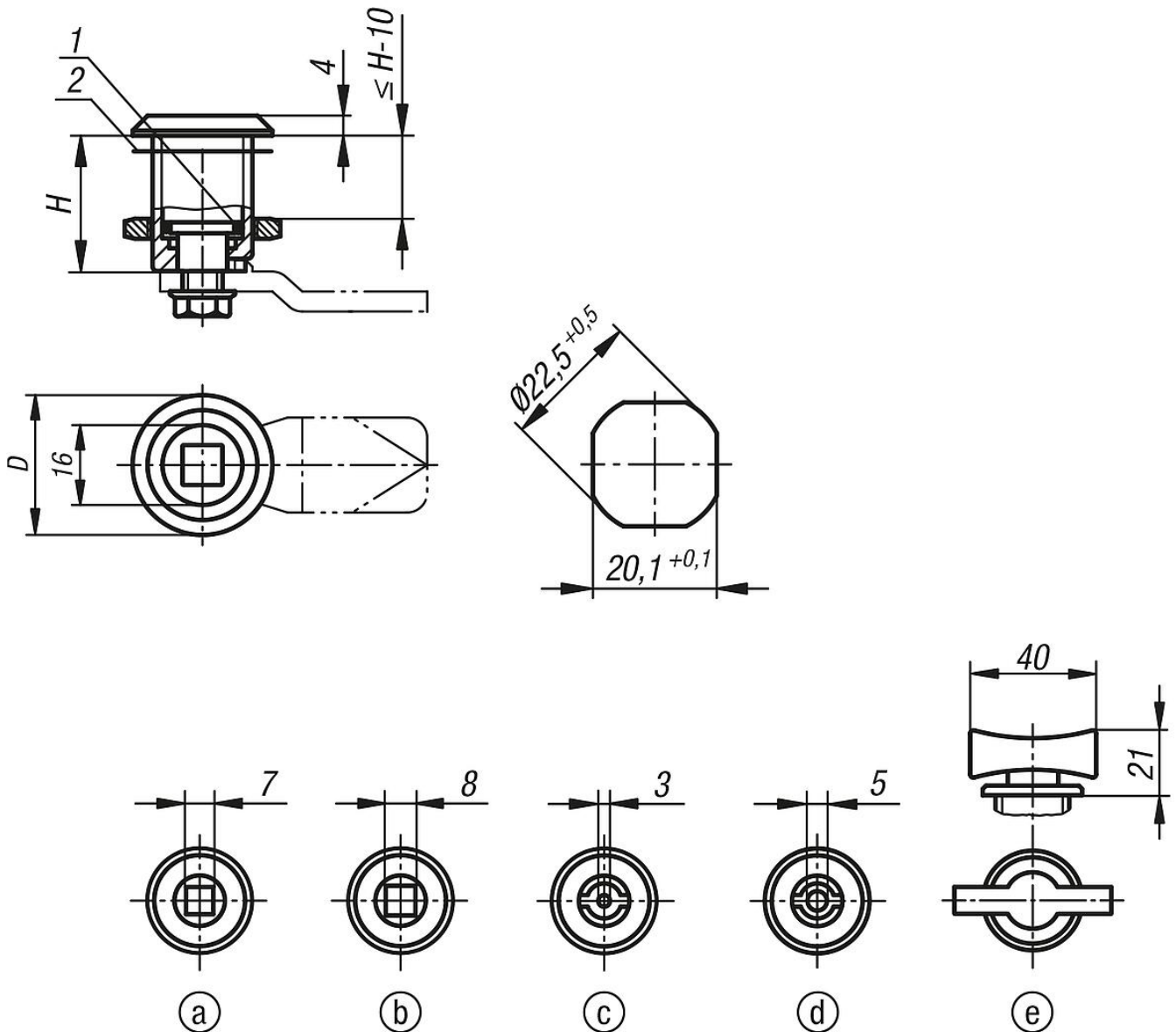
- a) square 7 mm
- b) square 8 mm
- c) double lug 3 mm
- d) double lug 5 mm
- e) wing grip

1) O-ring

2) flat seal

Quarter-turn locks, stainless steel, long version

Drawings



Order No.	Actuation	D	H
K1352.1730	square 7 mm	28	30
K1352.1736	square 7 mm	28	36
K1352.1740	square 7 mm	28	40
K1352.1750	square 7 mm	28	50
K1352.1760	square 7 mm	28	60
K1352.1830	square 8 mm	28	30
K1352.1836	square 8 mm	28	36
K1352.1840	square 8 mm	28	40
K1352.1850	square 8 mm	28	50
K1352.1860	square 8 mm	28	60
K1352.4330	double bit 3 mm	28	30
K1352.4336	double bit 3 mm	28	36
K1352.4340	double bit 3 mm	28	40
K1352.4350	double bit 3 mm	28	50
K1352.4360	double bit 3 mm	28	60
K1352.4530	double bit 5 mm	28	30

Order No.	Actuation	D	H
K1352.4536	double bit 5 mm	28	36
K1352.4540	double bit 5 mm	28	40
K1352.4550	double bit 5 mm	28	50
K1352.4560	double bit 5 mm	28	60
K1352.0030	wing grip	28	30
K1352.0036	wing grip	28	36
K1352.0040	wing grip	28	40
K1352.0050	wing grip	28	50
K1352.0060	wing grip	28	60