

Quarter-turn locks lockable, stainless steel

Item description/product images



Description

Material:

Stainless steel 1.4401 (AISI 316 equivalent).

Version:

Bright.

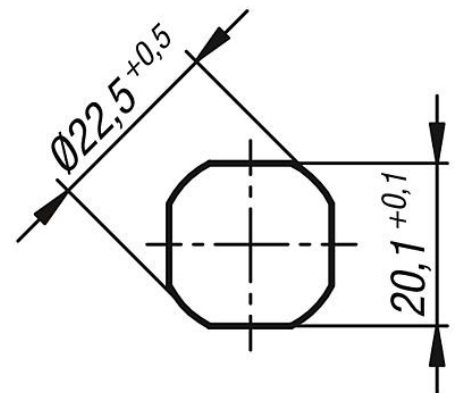
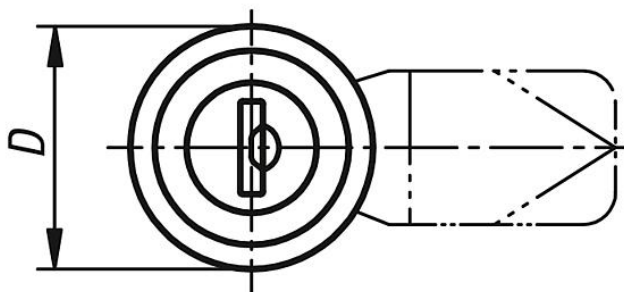
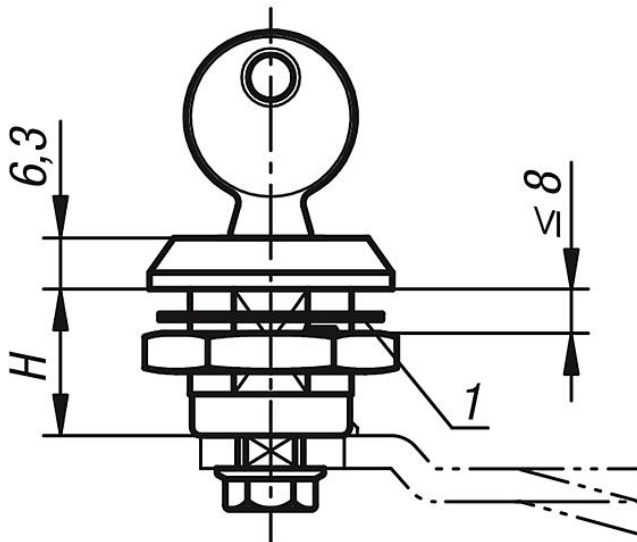
Note:

The quarter turn lock can be installed pre-assembled. Housing with fastening nut and plate cylinder, same key locking, incl. 2 keys (lock type 1333).

Drawing reference:

1) flat seal

Drawings



Order No.	Actuation	D	H
K1355.18	key single-key system	30	18

