

Quarter-turn locks, stainless steel with T-grip

Item description/product images



Description

Material:

Stainless steel 1.4401 (AISI 316 equivalent).

Version:

Bright.

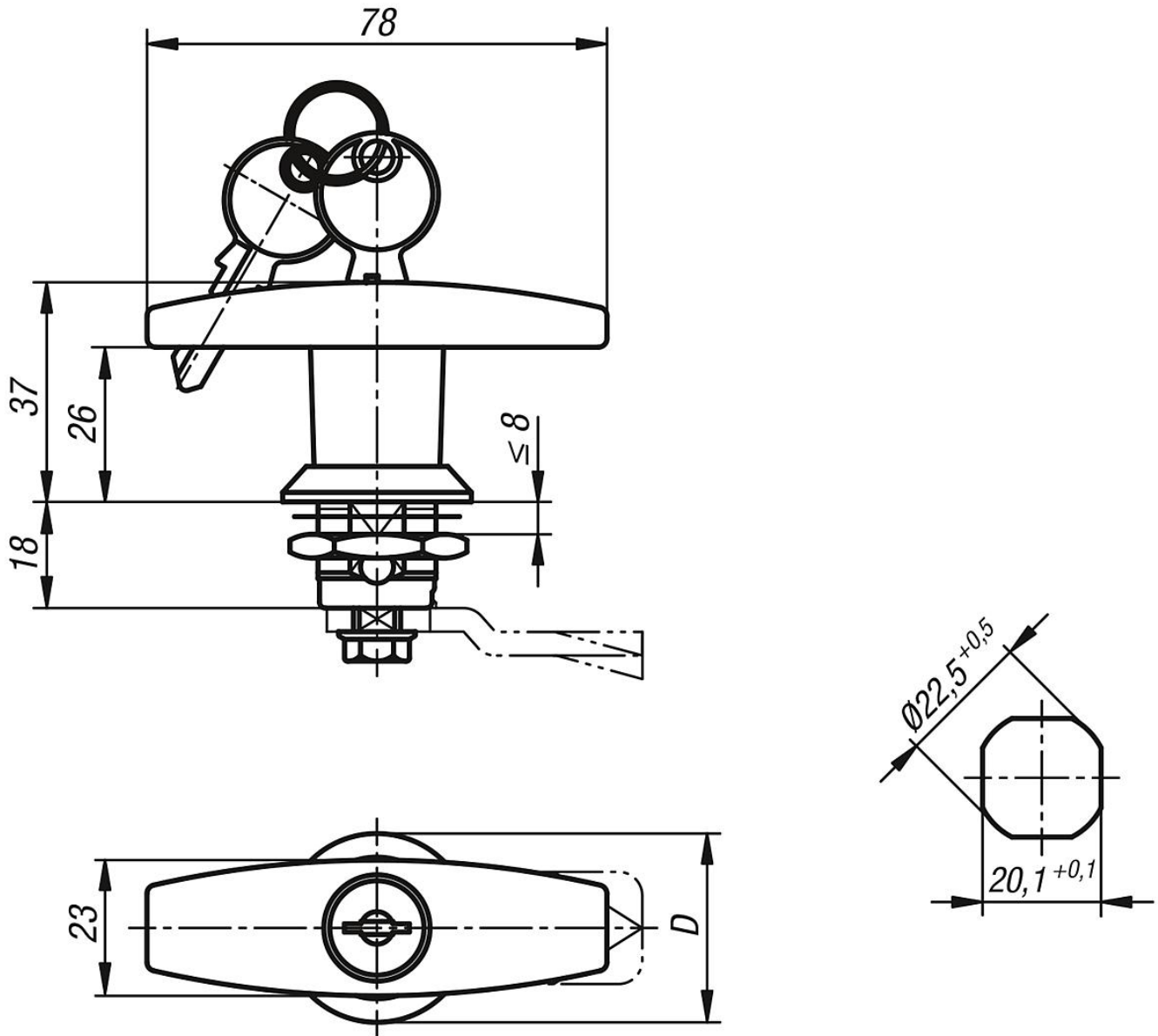
Grip polished.

On request:

Available for door thickness 20 and 40 mm.

Quarter-turn locks, stainless steel with T-grip

Drawings



Order No.	Actuation	D
K1356.1186	T-Grip	32
K1356.2186	T-grip lockable	32