

## Quarter-turn lock stainless steel with wing grip

### Item description/product images

---



### Description

**Material:**

Stainless steel 1.4401 (AISI 316 equivalent).

**Version:**

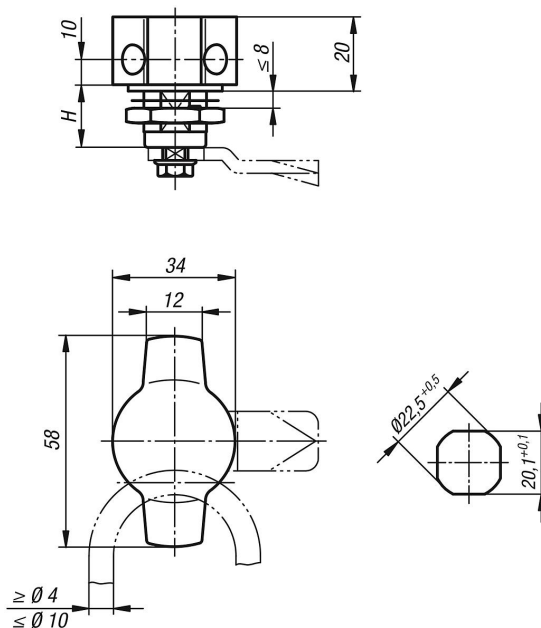
Bright.

Grip polished.



Quarter-turn lock stainless steel with wing grip

Drawings



Item No.	Actuation	H
K1358.18	spindle lockable	18