

Single leaf hinges adjustable, stainless steel

Item description/product images



Description

Material:

Stainless steel 1.4571 (AISI 316 Ti equivalent).

Version:

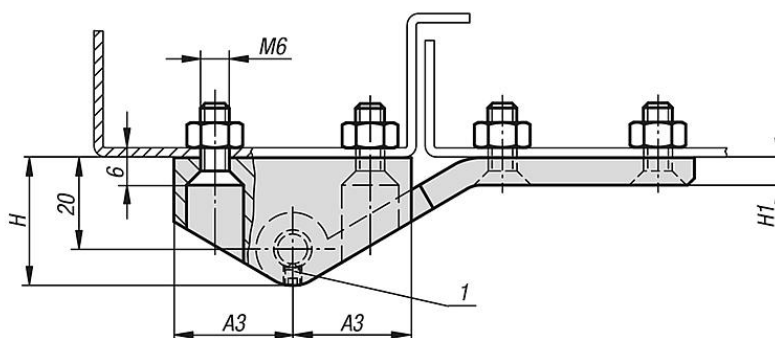
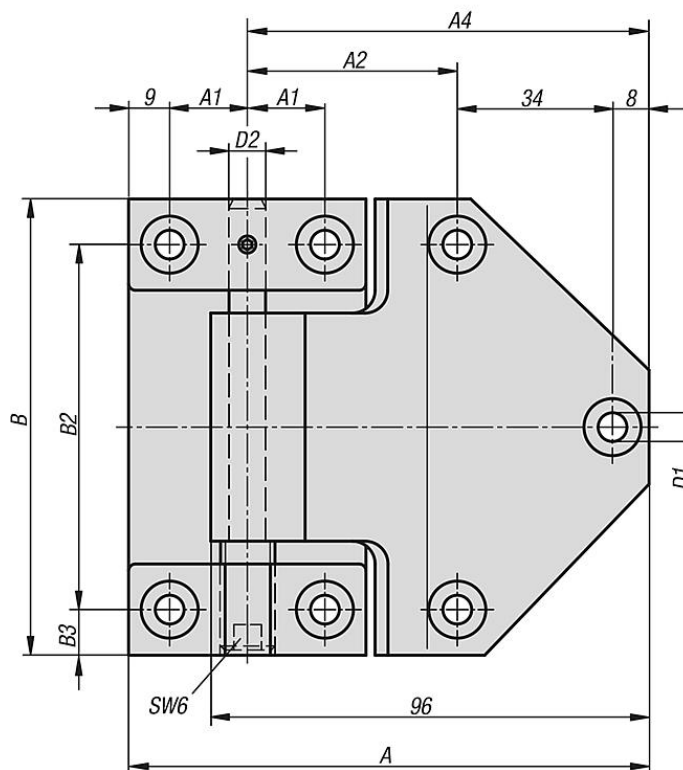
Satin finished.

Note:

Single leaf hinge for inwards opening doors, screws on from outside. A screw on the hinge pin allows height adjustment of ± 4 mm.

The addition of titanium in stainless steel 1.4571 increases the corrosion resistance. The opening angle is max. 180°.

Drawings



Single leaf hinges adjustable, stainless steel**Single leaf hinges, adjustable, stainless steel**

Order No.	A	A1	A2	A3	A4	B	B2	B3	D1	D2	H	H1
K1346.06884617	114	17	46	26	88	100	80	10	6,3	8	28	6