

Strap hinges stainless steel with grease nipple

Item description/product images



Description

Material:

Stainless steel 1.4301 (AISI 304 equivalent).

Version:

Matt polished.

Note:

Strap hinge for inwards opening doors.

The opening angle is max. 270°.

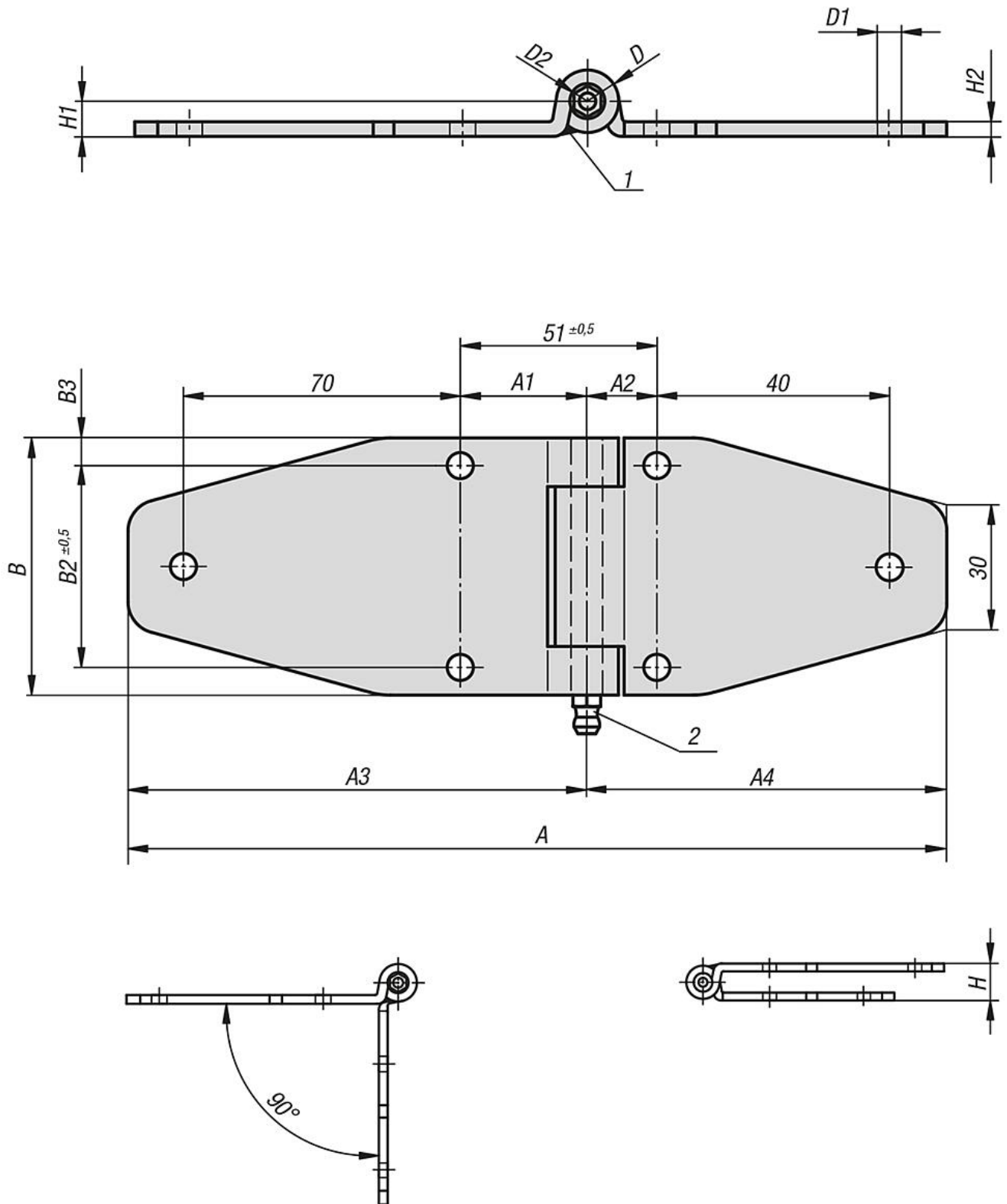
The loading values given for the hinges are non-binding reference values without consideration of safety factors and exclude any liability. The values given are for information purposes only and do not constitute a legally binding assurance of properties. These load values were determined under laboratory conditions. Each user must determine individually whether the hinge is suitable for the respective application. Different materials onto which the hinges are installed, the type of mounting, weather conditions and wear can influence the determined values.

Drawing reference:

- 1) Rolled ends of long leaf welded
- 2) Grease nipple

Strap hinges stainless steel with grease nipple

Drawings



Strap hinges stainless steel with grease nipple

Strap hinges stainless steel with grease nipple

Order No.	A	A1	A2	A3	A4	B	B2	B3	D	D1	D2	H	H1	H2
K1347.06701161932	186	32	19	116	70	65	51	7	16	6,6	8	18	9	3,75