

Catch plates Form A for DIN 3133 latches

Item description/product images



Description

Material:

Stainless steel 1.4301 (AISI 304 equivalent).

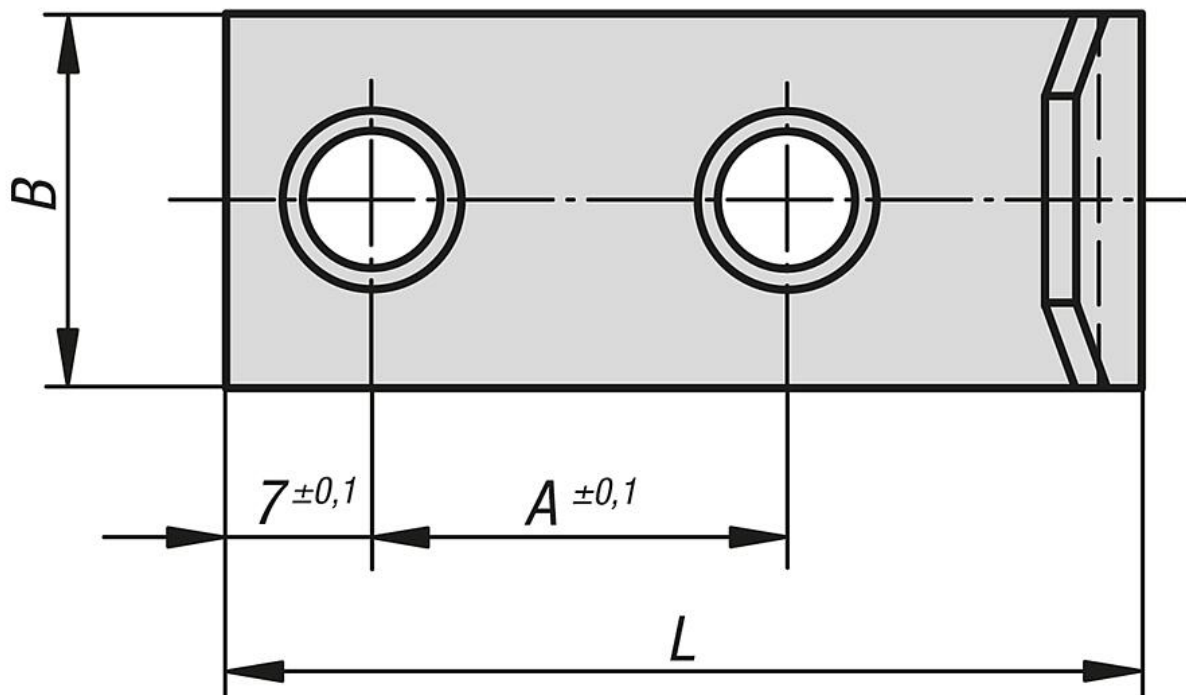
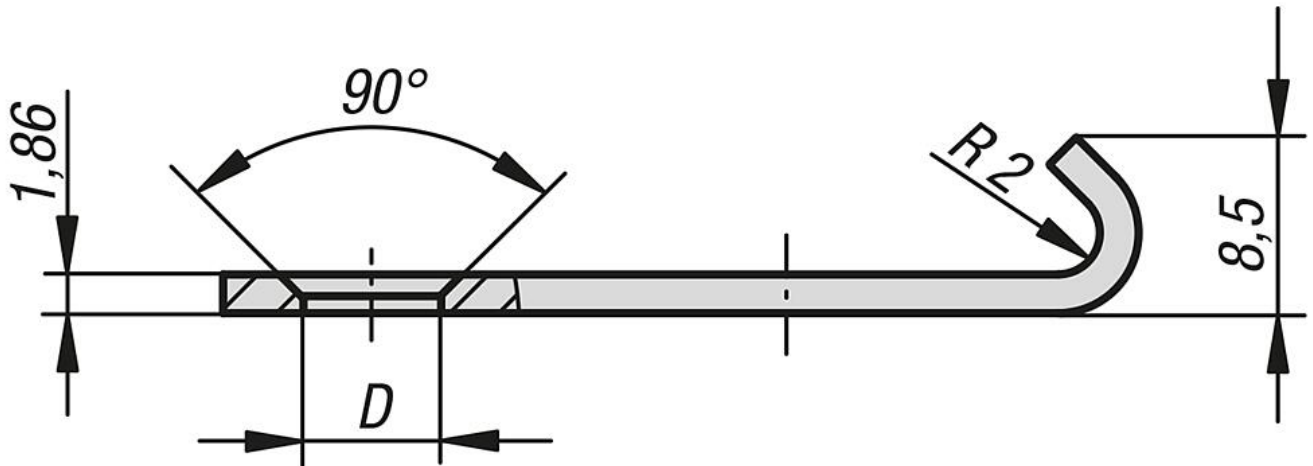
Version:

Vibratory ground.

Catch plates Form A for DIN 3133 latches

Drawings

Ⓐ



Order No.	style	L	B	A	D
K1336.91460442	A	44	18	20	4,8

