

## Latch with release, From A, stainless steel

### Item description/product images



### Description

**Material:**

Stainless steel 1.4301 (AISI 304 equivalent).

**Version:**

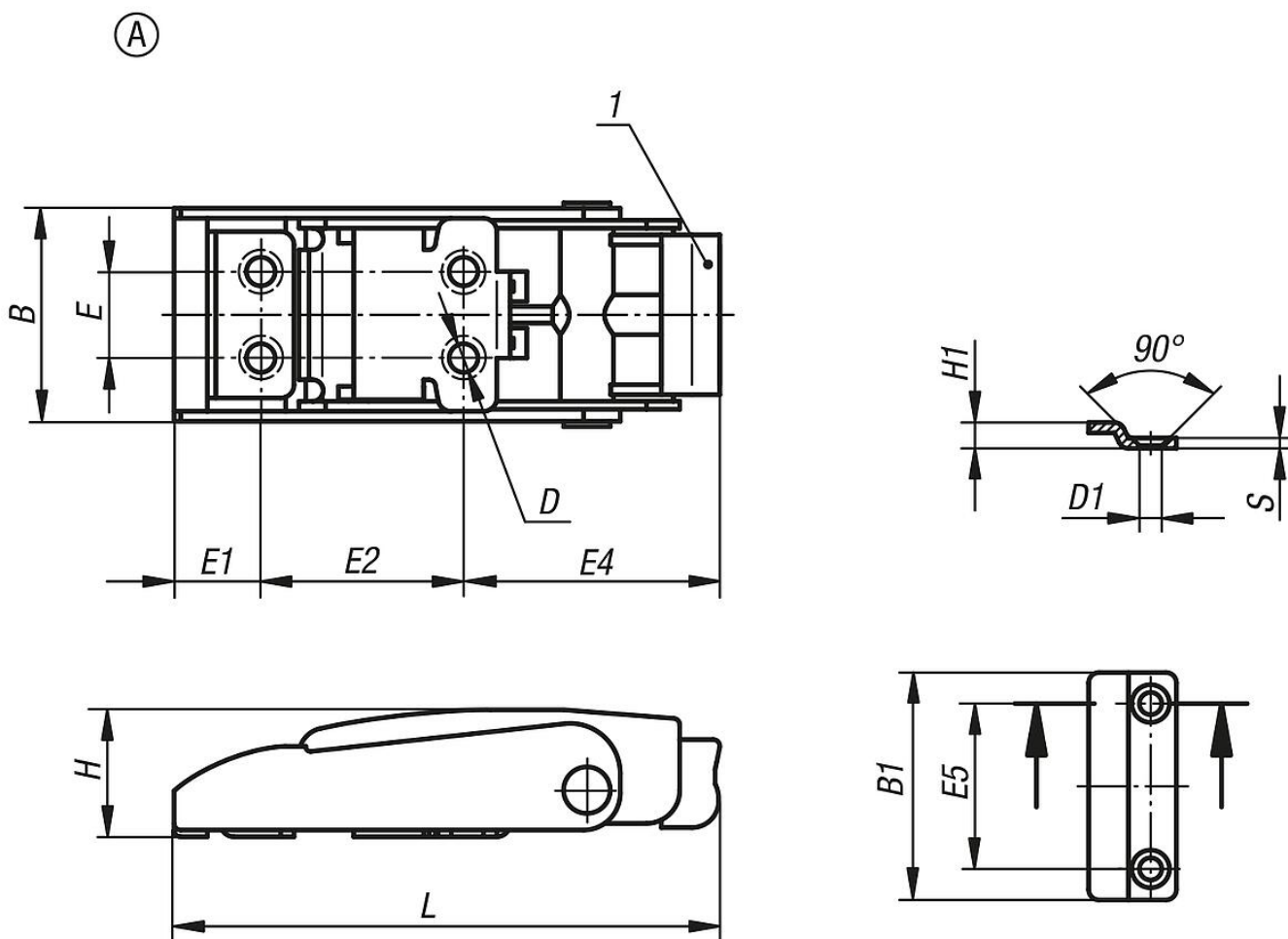
Bright.

The latch surface is satin finished.

**Drawing reference:**

1) Release

### Drawings



Item No.	style	L	E	E1	E2	E4	B	H	D	B1	E5	H1	D1	S
K1357.43082	A	82	13	13,5	30	38,5	33,6	19,5	4,3	25	13	5	4,3	2

