

Latch with release, From B, stainless steel

Item description/product images



Description

Material:

Stainless steel 1.4301 (AISI 304 equivalent).

Version:

Bright.

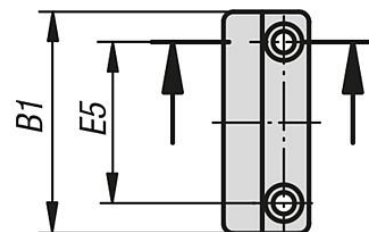
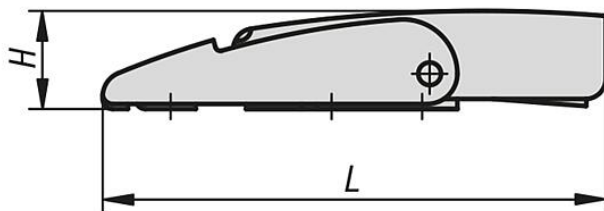
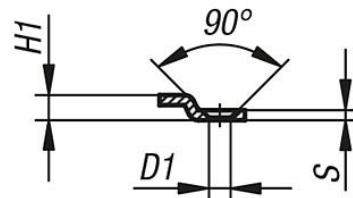
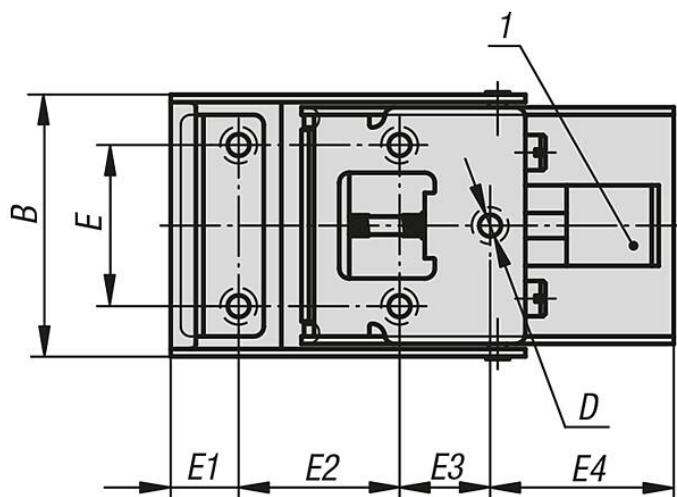
The latch surface is satin finished.

Drawing reference:

1) Release

Drawings

Ⓑ



Order No.	style	L	E	E1	E2	E3	E4	B	H	D	B1	E5	H1	D1	S
K1357.43100	B	100	32	13,5	32	18	36,5	53	19,5	4,3	44	32	5	4,3	2

