

Cam levers, stainless steel, with internal thread; thrust washer stainless steel, metric

Item description/product images



Description

Material:

Handle 1.4308 (AISI "316" equivalent) stainless steel.
 Thrust washer 1.4034 (AISI 420 equivalent) stainless steel, hardened.
 Hinge pin and stud 1.4305 (AISI 303 equivalent) stainless steel.

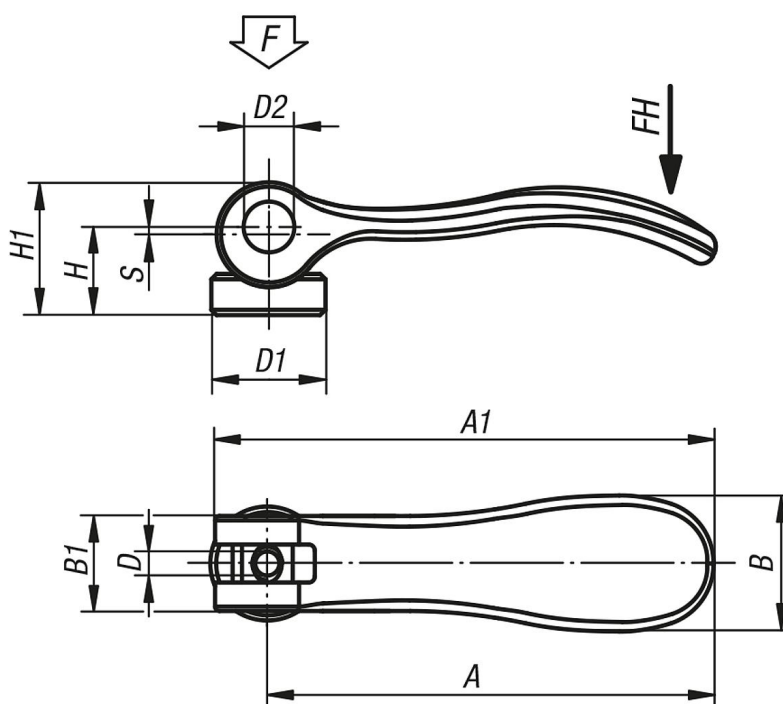
Version:

Handle electropolished or blasted.
 Thrust washer, hinge pin and screw bright.

Note:

The thrust washer face is lightly greased before delivery.
 The grease is FDA constyle and is suitable for use in the foodstuff and pharmaceutical industries.

Drawings



Order No.	Surface finish body	D	D1	D2	B	B1	H	H1	A	A1	Travel S	Clamping force F (kN)	Hand force FH N
K0645.9541003	electropolished	M3	12	6	14,4	11,5	9	13,5	36,2	41,7	1	1,5	90
K0645.9541004	electropolished	M4	12	6	14,4	11,5	9	13,5	36,2	41,7	1	1,5	90
K0645.0541004	electropolished	M4	15,4	8	18	13	11,4	17,2	52,3	59,1	1	2,5	100
K0645.0541005	electropolished	M5	15,4	8	18	13	11,4	17,2	52,3	59,1	1	2,5	100
K0645.1541005	electropolished	M5	18	9	21,5	15	14,7	22	70,4	79,2	1,2	4	120
K0645.1541006	electropolished	M6	18	9	21,5	15	14,7	22	70,4	79,2	1,2	4	120
K0645.2541008	electropolished	M8	27	11	33,3	24	18,3	28,8	96	108	1,5	8	350
K0645.9541303	blasted	M3	12	6	14,4	11,5	9	13,5	36,2	41,7	1	1,5	90
K0645.9541304	blasted	M4	12	6	14,4	11,5	9	13,5	36,2	41,7	1	1,5	90
K0645.0541304	blasted	M4	15,4	8	18	13	11,4	17,2	52,3	59,1	1	2,5	100
K0645.0541305	blasted	M5	15,4	8	18	13	11,4	17,2	52,3	59,1	1	2,5	100

Cam levers, stainless steel, with internal thread; thrust washer stainless steel, metric

Order No.	Surface finish body	D	D1	D2	B	B1	H	H1	A	A1	Travel S	Clamping force F (kN)	Hand force FH N
K0645.1541305	blasted	M5	18	9	21,5	15	14,7	22	70,4	79,2	1,2	4	120
K0645.1541306	blasted	M6	18	9	21,5	15	14,7	22	70,4	79,2	1,2	4	120
K0645.2541308	blasted	M8	27	11	33,3	24	18,3	28,8	96	108	1,5	8	350