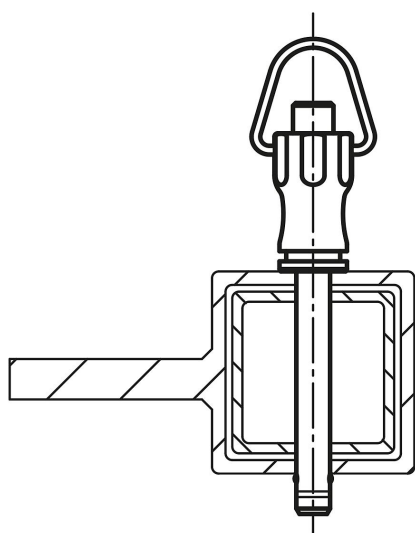


## Ball lock pins, stainless steel, with high shear strength, style A

### Item description/product images



### Description

#### Material:

Grip, and push button 1.4305 (AISI 303 equivalent) stainless steel.

Pin 1.4542 (AISI "630" equivalent) stainless steel.

Balls 1.4125 (AISI 440C equivalent) stainless steel.

Spring 1.4310 (AISI 301 equivalent) stainless steel.

#### Version:

Bright.

#### Note:

Ball lock pins are used for easy fastening or joining of components.

The two balls are disengaged by pressing the push button and the pin can be slipped into holes in the workpieces. When the push button is released, the balls lock the connection securely.

Shear force double shear (F) = S · τ aB max.

The values given for the shear force are the theoretical breaking load.

These are non-binding reference values without consideration of safety factors and exclude any liability. The values given are for information purposes only and do not constitute a legally binding assurance of properties.

The load values have been calculated in accordance with DIN 50141. Each user must determine individually whether the ball lock pin is suitable for the respective application.

Different materials in which the ball lock pins are used, weather conditions and wear can influence the determined values.

Ball lock pins with high shear strength are identified by a groove marking on the pin.

#### Benefits:

Higher loading in comparison to standard ball lock pins.

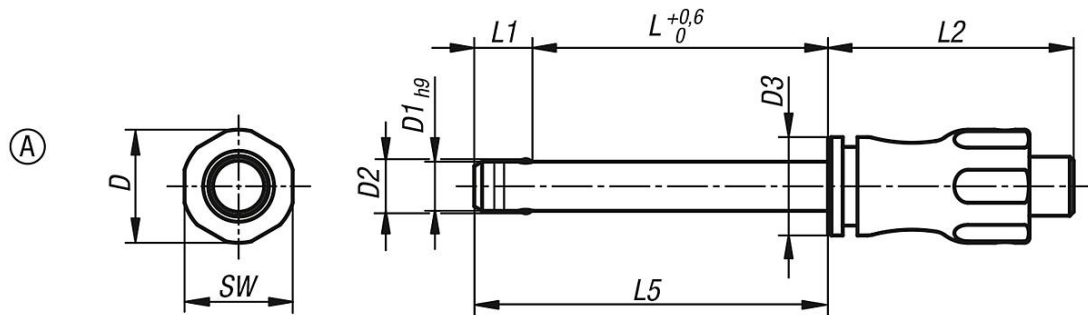
The pins made from 1.4542 stainless steel is hardened, has a higher shear resistance and is extremely durable.

#### Accessory:

Bushings for ball lock pins K0724

# Ball lock pins, stainless steel, with high shear strength, style A

## Drawings



Order No.	Style	D	D1	D2	D3	L	L1	L2	L5	SW	Receiving hole H11	Shearing force double shear max.kN
K0790.011205010	A	11,5	5	5,5	10	10	5,9	25	15,9	11	5	24
K0790.011205015	A	11,5	5	5,5	10	15	5,9	25	20,9	11	5	24
K0790.011205020	A	11,5	5	5,5	10	20	5,9	25	25,9	11	5	24
K0790.011205025	A	11,5	5	5,5	10	25	5,9	25	30,9	11	5	24
K0790.011205030	A	11,5	5	5,5	10	30	5,9	25	35,9	11	5	24
K0790.011206010	A	11,5	6	6,85	10	10	6,8	25	16,8	11	6	35
K0790.011206015	A	11,5	6	6,85	10	15	6,8	25	21,8	11	6	35
K0790.011206020	A	11,5	6	6,85	10	20	6,8	25	26,8	11	6	35
K0790.011206025	A	11,5	6	6,85	10	25	6,8	25	31,8	11	6	35
K0790.011206030	A	11,5	6	6,85	10	30	6,8	25	36,8	11	6	35
K0790.011206035	A	11,5	6	6,85	10	35	6,8	25	41,8	11	6	35
K0790.011206040	A	11,5	6	6,85	10	40	6,8	25	46,8	11	6	35
K0790.011206045	A	11,5	6	6,85	10	45	6,8	25	51,8	11	6	35
K0790.011206050	A	11,5	6	6,85	10	50	6,8	25	56,8	11	6	35
K0790.011508020	A	15,5	8	9,5	13,5	20	7,8	33	27,8	15	8	63
K0790.011508025	A	15,5	8	9,5	13,5	25	7,8	33	32,8	15	8	63
K0790.011508030	A	15,5	8	9,5	13,5	30	7,8	33	37,8	15	8	63
K0790.011508035	A	15,5	8	9,5	13,5	35	7,8	33	42,8	15	8	63
K0790.011508040	A	15,5	8	9,5	13,5	40	7,8	33	47,8	15	8	63
K0790.011508045	A	15,5	8	9,5	13,5	45	7,8	33	52,8	15	8	63
K0790.011508050	A	15,5	8	9,5	13,5	50	7,8	33	57,8	15	8	63
K0790.011510020	A	15,5	10	12	13,5	20	8,9	33	28,9	15	10	100
K0790.011510025	A	15,5	10	12	13,5	25	8,9	33	33,9	15	10	100
K0790.011510030	A	15,5	10	12	13,5	30	8,9	33	38,9	15	10	100
K0790.011510035	A	15,5	10	12	13,5	35	8,9	33	43,9	15	10	100
K0790.011510040	A	15,5	10	12	13,5	40	8,9	33	48,9	15	10	100
K0790.011510045	A	15,5	10	12	13,5	45	8,9	33	53,9	15	10	100
K0790.011510050	A	15,5	10	12	13,5	50	8,9	33	58,9	15	10	100
K0790.011510060	A	15,5	10	12	13,5	60	8,9	33	68,9	15	10	100
K0790.012112025	A	22	12	14,5	20	25	9,9	39,5	34,9	21	12	144
K0790.012112030	A	22	12	14,5	20	30	9,9	39,5	39,9	21	12	144
K0790.012112035	A	22	12	14,5	20	35	9,9	39,5	44,9	21	12	144
K0790.012112040	A	22	12	14,5	20	40	9,9	39,5	49,9	21	12	144
K0790.012112045	A	22	12	14,5	20	45	9,9	39,5	54,9	21	12	144
K0790.012112050	A	22	12	14,5	20	50	9,9	39,5	59,9	21	12	144
K0790.012112060	A	22	12	14,5	20	60	9,9	39,5	69,9	21	12	144
K0790.012112070	A	22	12	14,5	20	70	9,9	39,5	79,9	21	12	144
K0790.012112080	A	22	12	14,5	20	80	9,9	39,5	89,9	21	12	144
K0790.012116030	A	22	16	19	20	30	13,1	39,5	43,1	21	16	257
K0790.012116035	A	22	16	19	20	35	13,1	39,5	48,1	21	16	257
K0790.012116040	A	22	16	19	20	40	13,1	39,5	53,1	21	16	257
K0790.012116045	A	22	16	19	20	45	13,1	39,5	58,1	21	16	257
K0790.012116050	A	22	16	19	20	50	13,1	39,5	63,1	21	16	257
K0790.012116060	A	22	16	19	20	60	13,1	39,5	73,1	21	16	257
K0790.012116070	A	22	16	19	20	70	13,1	39,5	83,1	21	16	257
K0790.012116080	A	22	16	19	20	80	13,1	39,5	93,1	21	16	257

