

Tube clamps cross, stainless steel, style B

Item description/product images



Description

Material:
Electropolished.

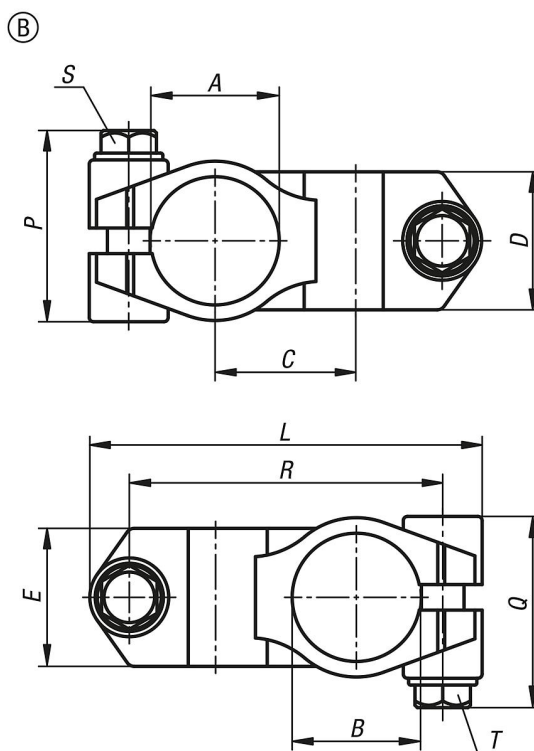
Version:
Adjustable handles for tightening.

Note:
Stainless steel investment cast 1.4308 (AISI "316" equivalent).
ISO 4017 hex head screw and ISO 4032 nut, stainless steel.

On request:
- Round and square tubes K0493

Accessory:
The tube clamps with diameters 30 and 40 mm have a silicone body that protects the thread of the hex head screw from contamination and damage.

Drawings



Tube clamps cross, stainless steel

Order No.	style	A	B	C	D	E	L	P	Q	R	S	T
K0472.13030	B	30,1	30,1	33	32,4	32,4	92	45.5	45.5	73,5	M8x30	M8x30
K0472.14040	B	40,17	40,17	42	40,4	40,4	118	52	52	95,5	M10x35	M10x35

