

# Telescopic slides, steel for surface mounting, full extension, load capacity up to 35 kg

Item description/product images



## Description

### Material:

Slides steel.  
Ball cages steel and plastic.  
Balls C-steel.

### Version:

Slides electro zinc-plated and trivalent blue passivated.  
Balls hardened.

### Order information:

Supplied in pairs

### Note:

On telescopic slides with full extension, the travel is equal to the installed length, which ensures greater comfort and accessibility. Interlocking in closed position. When the release lever is actuated, the drawer can be taken out easily and separated from the guide.

When closing, the movement of the telescopic slides is dampened by the soft closing feature and they move automatically into the end position.

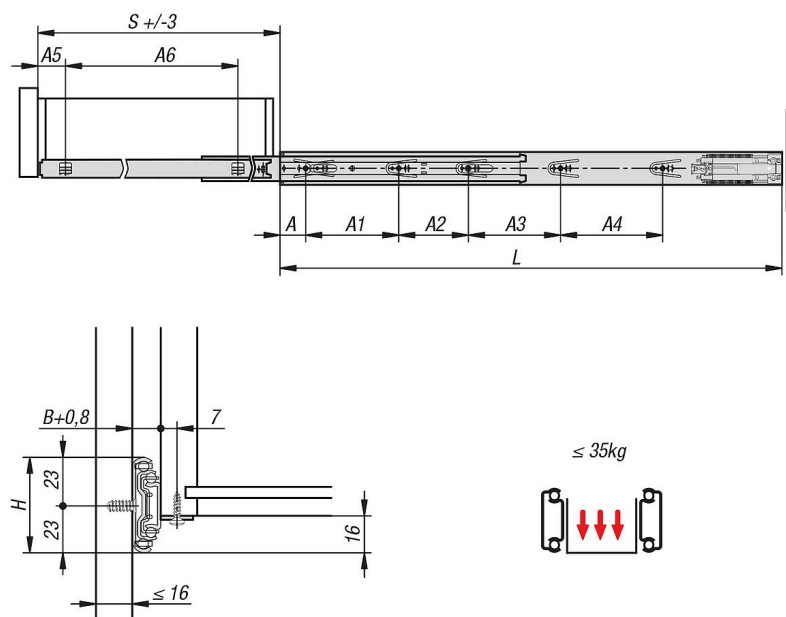
The side screw fittings on the inner rail are replaced by support brackets.

The dynamic load capacity of the telescopic slides indicates the maximum load rating of a vertically mounted slide pair when the entire extension length is used. The load-bearing capacities specified refer to the maximum value for 50,000 cycles.

### Note:

The load capacity of all telescopic slides is tested to DIN EN 15338 Level 2.

## Drawings



**Telescopic slides, steel for surface mounting, full extension, load capacity up to 35 kg**

---

