

Quarter-turn locks long version

Item description/product images



Description

Material:

Housing and actuator die-cast zinc.

Version:

Housing and actuator chrome-plated.

Note:

Rating IP65. Achieved using an additional O-ring underneath the actuator and a flat seal attached to the housing. The quarter-turn lock can be installed pre-assembled.

Accessory:

Key K0535

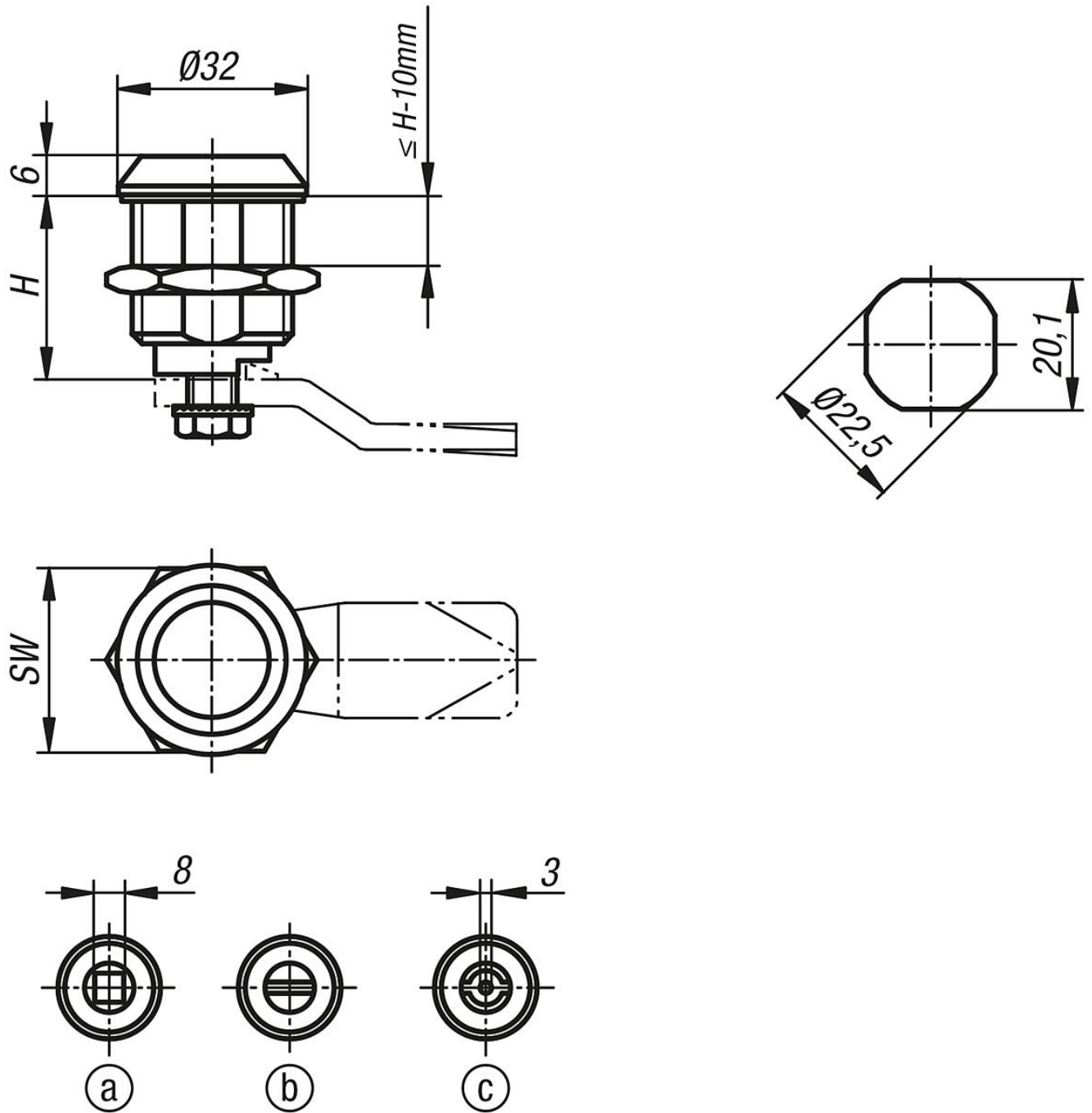
Drawing reference:

Actuation:

- a) square 8 mm
- b) slot
- c) double lug 3 mm

Quarter-turn locks long version

Drawings



Order No.	H	Actuation	SW
K1113.18301	30	square 8 mm	27
K1113.40301	30	double bit 3 mm	27
K1113.20301	30	slot	27
K1113.18401	40	square 8 mm	27
K1113.40401	40	double bit 3 mm	27
K1113.20401	40	slot	27
K1113.18501	50	square 8 mm	27
K1113.40501	50	double bit 3 mm	27
K1113.20501	50	slot	27

