

Quarter-turn locks stainless steel

Item description/product images



Description

Material:

Stainless steel 1.4305 (AISI 303 equivalent).

Version:

Bright.

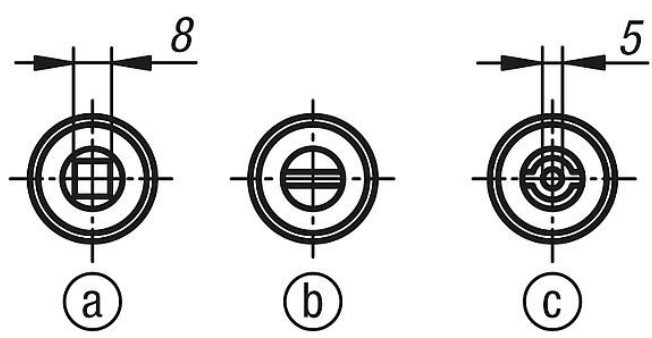
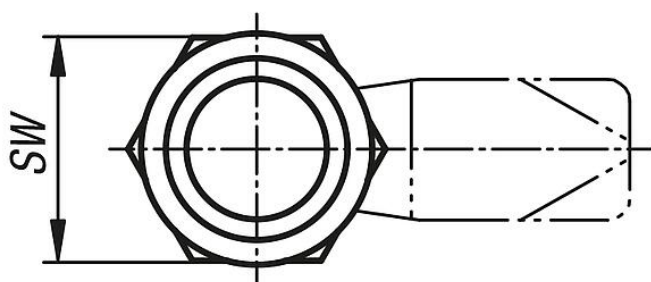
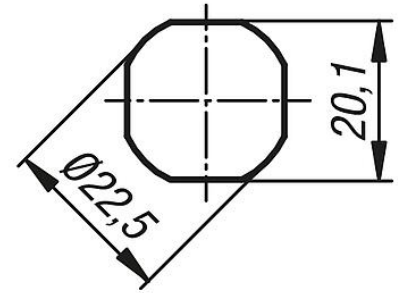
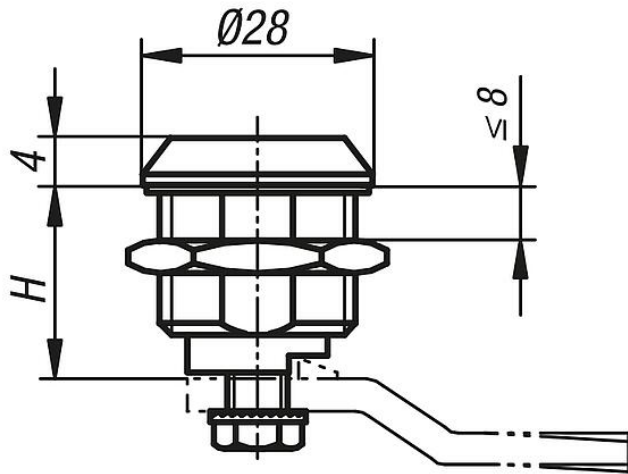
Drawing reference:

Actuation:

- a) square 8 mm
- b) slot
- c) double lug 5 mm

Quarter-turn locks stainless steel

Drawings



Order No.	Actuation	H	SW
K1106.40186	double bit 5 mm	18	27
K1106.20186	slot	18	27
K1106.18186	square 8 mm	18	27

