

Plastic cylindrical grips, revolving, with internal thread, inch

Item description/product images



Description

Product description:

Cylindrical grips are supplied assembled and can be screwed onto handwheels, crank handles, etc.
The grooves and conical shape ensure that the cylindrical grips have optimised haptics and good grip.

Material:

Grip, thermoplastic.
Center pin, steel.

Version:

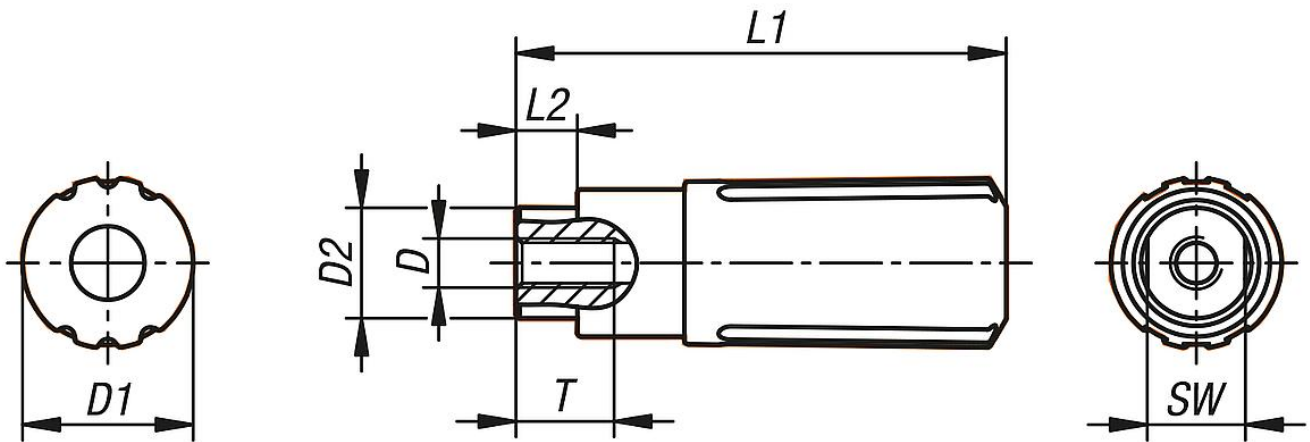
Grip, black.
Steel parts, black oxidized.

Benefits:

Optimised haptics and good grip
Grips for handwheels and cranks
Various thread sizes
NOVO grip KIPP design

Plastic cylindrical grips, revolving, with internal thread, inch

Drawings



Order No.	Thread type	Component material	Size	D	D1	D2	L1	L2	T	SW
K1468.11AE	internal thread	steel	1	8-32	14	9	40	5	8	8
K1468.12A1	internal thread	steel	2	10-32	16	11	49,1	5,1	10	10
K1468.13A2	internal thread	steel	3	1/4-20	20	14	61,4	6,4	12	12
K1468.14A3	internal thread	steel	4	5/16-18	25	18	82,5	12,5	16	15