

Plastic cylindrical grips, fold-away, metric

Item description/product images



Description

Product description:

Cylindrical grips are supplied assembled and can be screwed onto handwheels, crank handles, etc.

The grooves and conical shape ensure that the cylindrical grips have optimised haptics and good grip.

The fold-down grip prevents protruding edges, which also minimizes the risk of injury.

Material:

Grip thermoplastic.

center pin steel grade 5.8 or stainless steel 1.4404 (AISI 316L equivalent).

Dowel spring steel or stainless steel 1.4310 (AISI 301 equivalent).

Spring spring steel or stainless steel 1.4568 (AISI 631 equivalent).

Version:

Grip, black.

Steel parts, black oxidized.

Stainless steel bright.

Note:

The hole D3 is used for positioning.

Benefits:

Optimised haptics and good grip

Protruding edges prevented

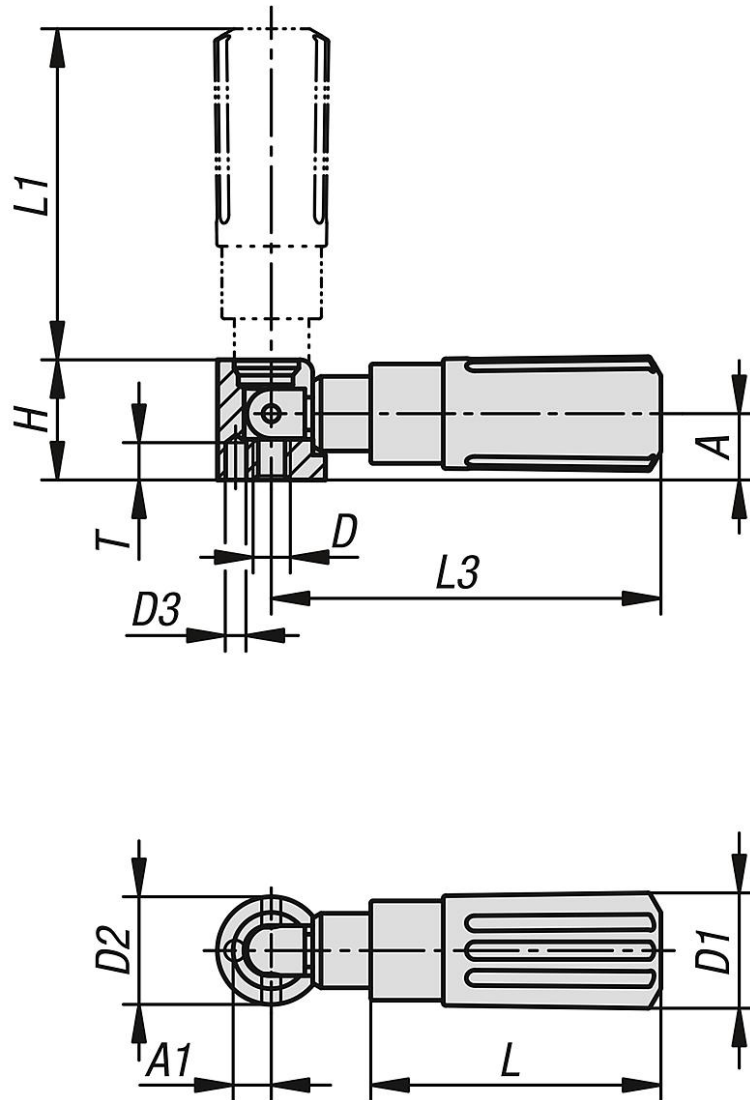
Grips for handwheels and cranks

Various thread sizes

NOVO grip KIPP design

Plastic cylindrical grips, fold-away, metric

Drawings



Cylindrical grips, plastic fold-down

| Order No. | Component material | Size | A | A1 | D | D1 | D2 | D3 | H | L | L1 | L3 | T |
|------------|--------------------|------|------|-----|----|----|----|-----|------|----|------|------|-----|
| K1469.104 | steel | 1 | 8 | 4,3 | M4 | 14 | 13 | 2,5 | 14,5 | 35 | 40 | 47 | 4,5 |
| K1469.205 | steel | 2 | 10 | 5,3 | M5 | 16 | 16 | 3,5 | 18 | 44 | 49 | 58 | 4,5 |
| K1469.306 | steel | 3 | 12,5 | 6,5 | M6 | 20 | 20 | 4,5 | 22,5 | 55 | 59,5 | 71,5 | 6 |
| K1469.408 | steel | 4 | 16 | 9 | M8 | 25 | 26 | 5,5 | 29 | 70 | 83 | 98 | 6,5 |
| K1469.1104 | stainless steel | 1 | 8 | 4,3 | M4 | 14 | 13 | 2,5 | 14,5 | 35 | 40 | 47 | 4,5 |
| K1469.1205 | stainless steel | 2 | 10 | 5,3 | M5 | 16 | 16 | 3,5 | 18 | 44 | 49 | 58 | 4,5 |
| K1469.1306 | stainless steel | 3 | 12,5 | 6,5 | M6 | 20 | 20 | 4,5 | 22,5 | 55 | 59,5 | 71,5 | 6 |
| K1469.1408 | stainless steel | 4 | 16 | 9 | M8 | 25 | 26 | 5,5 | 29 | 70 | 83 | 98 | 6,5 |

