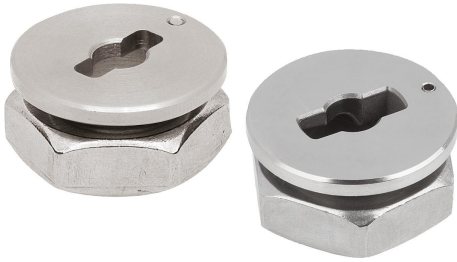


Clamping plates surface mounted for quarter-turn clamp locks

Item description/product images



Description

Material:

Housing steel or stainless steel.

Nut stainless steel.

Version:

Housing nickel-plated or bright.

Nut bright.

Note:

style A mounting option for plate thickness 6 to 10 mm.

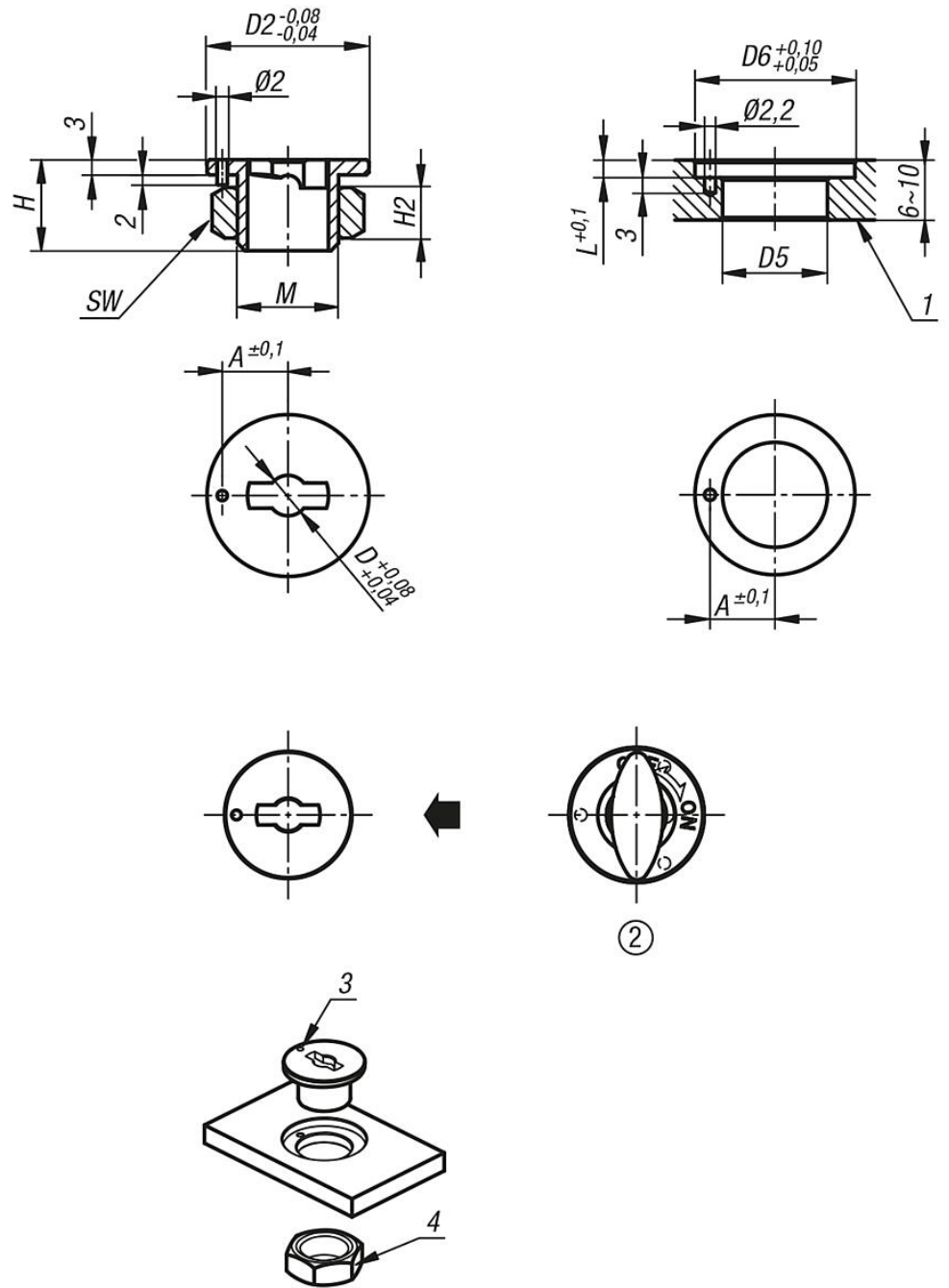
Drawing reference:

- 1) plate
- 2) quarter-turn clamp lock
- 3) locating pin
- 4) nut

Clamping plates surface mounted for quarter-turn clamp locks

Drawings

Ⓐ



Order No.	style	Main material	Version 2	D	D2	A	M	H2	SW	H	D5	D6	L
K1062.50	A	steel	superimposed	5	25	10,5	M14X1,5	8	22	16	15	25	3,5
K1062.80	A	steel	superimposed	8	32	13	M20X1,5	10	30	18	21	32	3,5
K1062.180	A	stainless steel	superimposed	8	32	13	M20X1,5	10	30	18	21	32	3,5
K1062.150	A	stainless steel	superimposed	5	25	10,5	M14X1,5	8	22	16	15	25	3,5

