

Locating Feet with vibration absorption

Item description/product images



Description

Material:

Plate steel or stainless steel 1.4404 (AISI 316L equivalent).
Damper plate PUR elastomer (Sylomer V12).

Version:

Plate trivalent blue passivated or bright.
Damper plate gray, glued in, anti-slip.
Temp. range -30 °C to +70 °C.

Note:

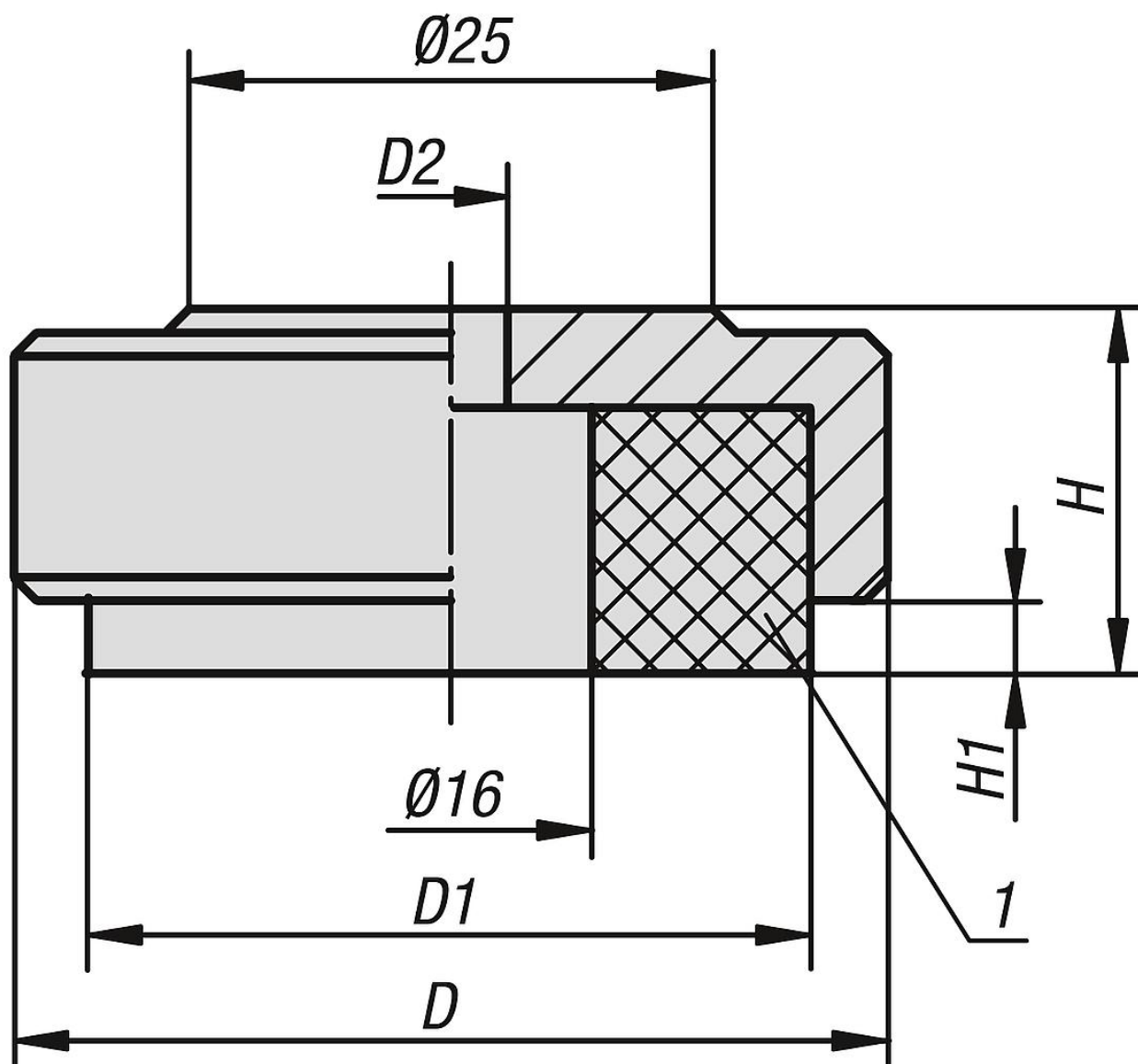
The load rating given in the table is a recommendation of the permanent static load up to which the damper plate should be used.
This static load corresponds to a surface pressure of 0.4 N/mm², at which the material reaches its optimum absorption properties. Here it is taken into account that under dynamic loading an additional load of up to 0.6 N/mm² may occur.
The damper plate absorbs vibrations and prevents the machine foot slipping.

Drawing reference:

1) damper plate

Locating Feet with vibration absorption

Drawings



Machine feet with vibration absorption

Item No.	Main material	D	D1	D2	H	H1 by 0 / 0.4 / 0.6 N/mm ²	Load rating max. kN
K0670.036	steel	36	30,5	5,5	15	4 / 2,8 / 1,9	0,212
K0670.046	steel	46	40,5	6,6	17	4 / 2,8 / 1,9	0,435
K0670.056	steel	56	50	9	19	4 / 2,8 / 1,9	0,705
K0670.074	steel	74	68	9	21	4 / 2,8 / 1,9	1,372
K0670.1036	stainless steel	36	30,5	5,5	15	4 / 2,8 / 1,9	0,212
K0670.1046	stainless steel	46	40,5	6,6	17	4 / 2,8 / 1,9	0,435
K0670.1056	stainless steel	56	50	9	19	4 / 2,8 / 1,9	0,705

