

## Adjustable handles, die-cast zinc with internal thread and clamping force intensifier, threaded insert black oxidized steel

Item description/product images



### Description

#### Product description:

By using adjustable handles with integrated clamping force intensifier, the clamping force can be increased by up to 75% compared to standard adjustable handles.

Furthermore, this product can also be used by persons with limited hand strength (e.g. in rehabilitation) to achieve comparable clamping forces with less effort. Less effort is also needed to loosen the adjustable handle.

The increase in clamping force is achieved by the integral needle roller thrust bearing, which generates very low surface friction on a rigid contact surface during clamping. The hardened thrust washers are designed for high clamping forces and the bearing with its high load rating guarantees a long service life.

The clamped component is permanently protected by the large, stationary contact surface. A washer is no longer required.

#### Material:

Handle die-cast zinc DIN EN 12844.  
Steel parts grade 5.8.

#### Version:

Handle powder coated or high-gloss trivalent passivated  
Steel parts, black oxidized.  
Axial needle bearing with hardened and ground thrust washer.

#### Note:

Standard colors are:  
black satin finish, orange RAL 2004, ruby red RAL 3003, silver metallic, high gloss chromate.

#### Type of operation:

In the default position, the handle is engaged with the threaded insert through a toothed ring. By lifting the handle, it can be repositioned and re-engaged in the toothed ring by spring force.

#### Application:

Machine, equipment and plant construction, rehabilitation sector.

#### Assembly:

The screw-in depth must be at least 2 x the thread diameter and the thread should be lubricated lightly during installation.

#### Benefits:

Significant increase of the clamping force with the same tightening torque.  
High quality axial needle bearing with high load rating and long service life.  
The component surface is protected by the stationary lower ring.

#### On request:

Other colors.

**Adjustable handles, die-cast zinc with internal thread and clamping force intensifier, threaded insert black oxidized steel**

Item description/product images

---



**Adjustable handles, die-cast zinc with internal thread and clamping force intensifier, threaded insert black oxidized steel**

Item description/product images

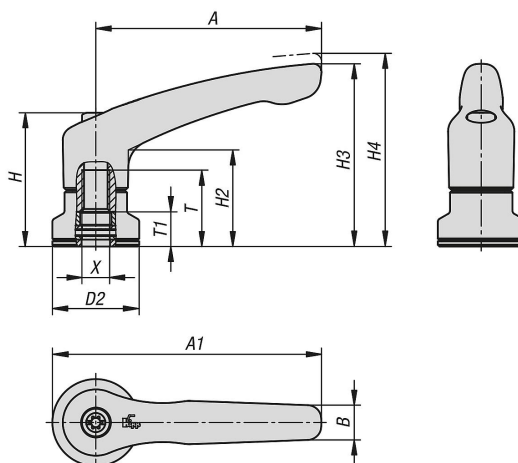


lift to  
disengage



## Adjustable handles, die-cast zinc with internal thread and clamping force intensifier, threaded insert black oxidized steel

Drawings



### Adjustable handles, zinc with internal thread and clamping force intensifier

Order No.	Main color	Surface finish body	Size	X	D2	H	H2	H3	H4	A	A1	B	T	T1
K1599.2081	jet black RAL 9005	satin finish	2	M8	25	38,5	27,7	52,6	55,6	65	77,5	10	22	10
K1599.3101	jet black RAL 9005	satin finish	3	M10	30	47	33,9	64,4	68,6	80	95	11,2	24	10
K1599.4101	jet black RAL 9005	satin finish	4	M10	30	53,1	37,2	72,8	77,3	95	110	13,2	27	10
K1599.5121	jet black RAL 9005	satin finish	5	M12	35	59,1	41,9	83	87,5	110	127,5	15,4	33	10
K1599.2082	orange RAL 2004	powder coated	2	M8	25	38,5	27,7	52,6	55,6	65	77,5	10	22	10
K1599.3102	orange RAL 2004	powder coated	3	M10	30	47	33,9	64,4	68,6	80	95	11,2	24	10
K1599.4102	orange RAL 2004	powder coated	4	M10	30	53,1	37,2	72,8	77,3	95	110	13,2	27	10
K1599.5122	orange RAL 2004	powder coated	5	M12	35	59,1	41,9	83	87,5	110	127,5	15,4	33	10
K1599.20827	ruby red RAL3003	powder coated	2	M8	25	38,5	27,7	52,6	55,6	65	77,5	10	22	10
K1599.31027	ruby red RAL3003	powder coated	3	M10	30	47	33,9	64,4	68,6	80	95	11,2	24	10
K1599.41027	ruby red RAL3003	powder coated	4	M10	30	53,1	37,2	72,8	77,3	95	110	13,2	27	10
K1599.51227	ruby red RAL3003	powder coated	5	M12	35	59,1	41,9	83	87,5	110	127,5	15,4	33	10
K1599.2083	silver metallic	powder coated	2	M8	25	38,5	27,7	52,6	55,6	65	77,5	10	22	10
K1599.3103	silver metallic	powder coated	3	M10	30	47	33,9	64,4	68,6	80	95	11,2	24	10
K1599.4103	silver metallic	powder coated	4	M10	30	53,1	37,2	72,8	77,3	95	110	13,2	27	10
K1599.5123	silver metallic	powder coated	5	M12	35	59,1	41,9	83	87,5	110	127,5	15,4	33	10
K1599.2086	silver	high-gloss chromed	2	M8	25	38,5	27,7	52,6	55,6	65	77,5	10	22	10
K1599.3106	silver	high-gloss chromed	3	M10	30	47	33,9	64,4	68,6	80	95	11,2	24	10
K1599.4106	silver	high-gloss chromed	4	M10	30	53,1	37,2	72,8	77,3	95	110	13,2	27	10
K1599.5126	silver	high-gloss chromed	5	M12	35	59,1	41,9	83	87,5	110	127,5	15,4	33	10