

Pull handles, plastic, with electronic switch function, style B with cable

Item description/product images



Description

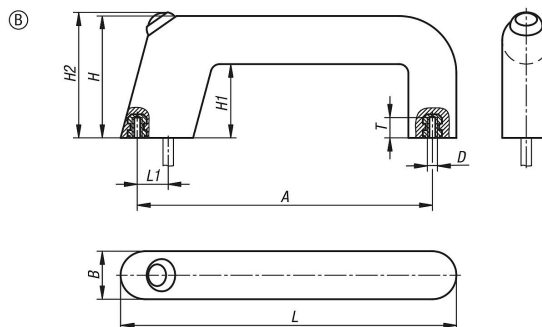
Material:
Plastic PA6.

Version:
Fine texture, black.

Note:
Push button with red or green LED.
Connection cable, 5 m long, attached to the screw face of the grip leg.
Rating: IP65.

Assembly:
From the rear.

Drawings



Order No.	style	Component color	A	B	D	H	H1	H2 max.	L	L1	T	Load capacity N
K1527.21601	B	green	160	26	M6	66	40	70	182	17	10	1000
K1527.21602	B	red	160	26	M6	66	40	70	182	17	10	1000