

Tubular handles, plastic, with electronic switch function, style A, without emergency stop

Item description/product images



Description

Material:

Grip legs PA6 plastic.

Grip tube PVC plastic.

Version:

Grip legs fine textured, black.

Grip tube turned, black.

Note:

Push button 1 (changer)

Push button 2 (closer

2 LED's

Plug 8 pin

Plug mounted in the grip leg from the lower tube axis.

Connector with 10 m cable available as accessory. Must be ordered separately.

Rating: IP65 when connector is screwed on.

Optically matching tubular handle without electronic switch function (K1528) available.

Assembly:

From the front.

Drawing reference:

2) Red LED

3) Green LED

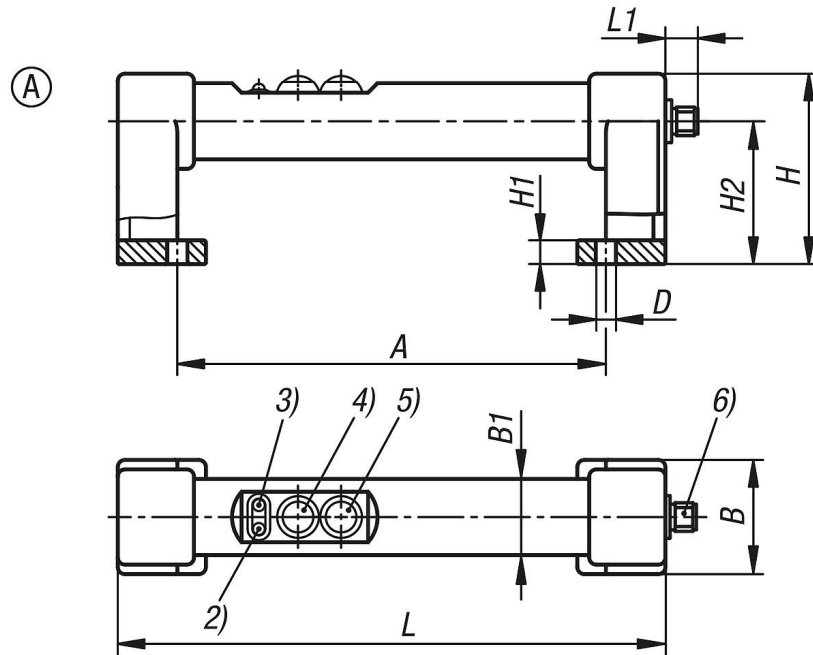
4) Push button 1

5) Push button 2

6) Connector, M12x1

Tubular handles, plastic, with electronic switch function, style A, without emergency stop

Drawings



Order No.	style	A	B	B1	D	H	H1	H2	L	L1	Load capacity N
K1530.180	A	180	48	32	8,5	80	10	60	230	13	1000