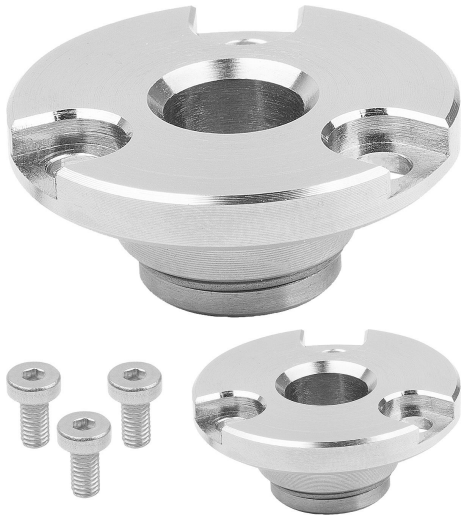


## Steel clamping plates for quarter-turn clamp locks

### Item description/product images

---



### Description

**Material:**

Housing steel.

**Version:**

Housing nickel-plated.

**Note:**

Stainless steel M3 fastening screws are included.

Mounting option for plate thickness starting from 9 mm.

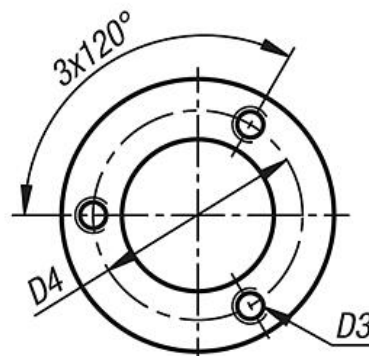
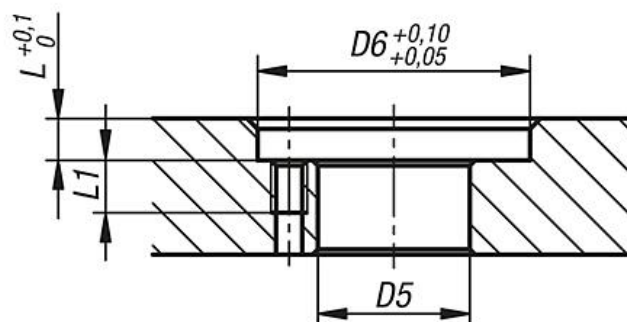
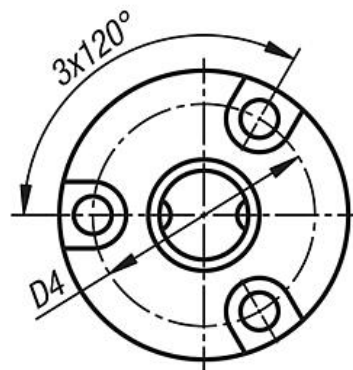
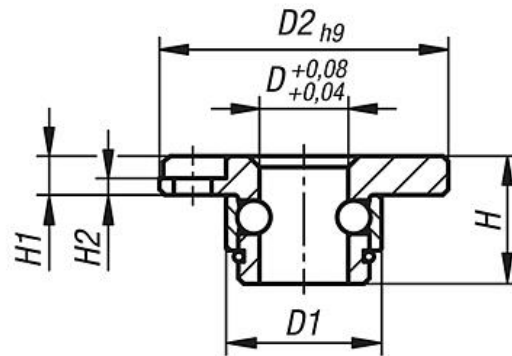
**Accessory:**

quarter-turn clamp lock K1559.

## Steel clamping plates for quarter-turn clamp locks

## Drawings

Clamping plate recessed  
for plate thickness  $> 9$  mm



## Steel clamping plates for quarter-turn clamp locks

---

### Steel clamping plates for quarter-turn clamp locks

Order No.	D	D1	D2	D3	D4	D5	D6	H	H1	H2	L	L1
K1560.801	8	14	26	M3x0,5	20	14,5	26	11,5	3,5	1,5	4	5