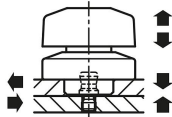
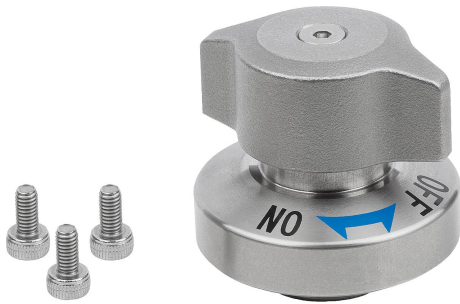


## Quarter-turn latches stainless steel, rotary knob stainless steel

### Item description/product images



### Description

#### Product description:

Quarter-turn latches are used for replacing and locking fixtures or hatches quickly and easily.

Toolless clamping shortens setup times.

#### Material:

Housing stainless steel.

Rotary knob stainless steel.

#### Note:

Stainless steel fastening screws M2 or M3 are included.

Mounting option 1 for plate thickness 6 mm.

Mounting option 2 for plate thickness > 6 to 14 mm.

#### Type of operation:

Check that the rotary knob is in the "OFF" position.

Set the lift and turn latch over the clamping pin and turn the rotary knob to the "ON" position.

When fully clamped, a click sound is heard.

#### Accessory:

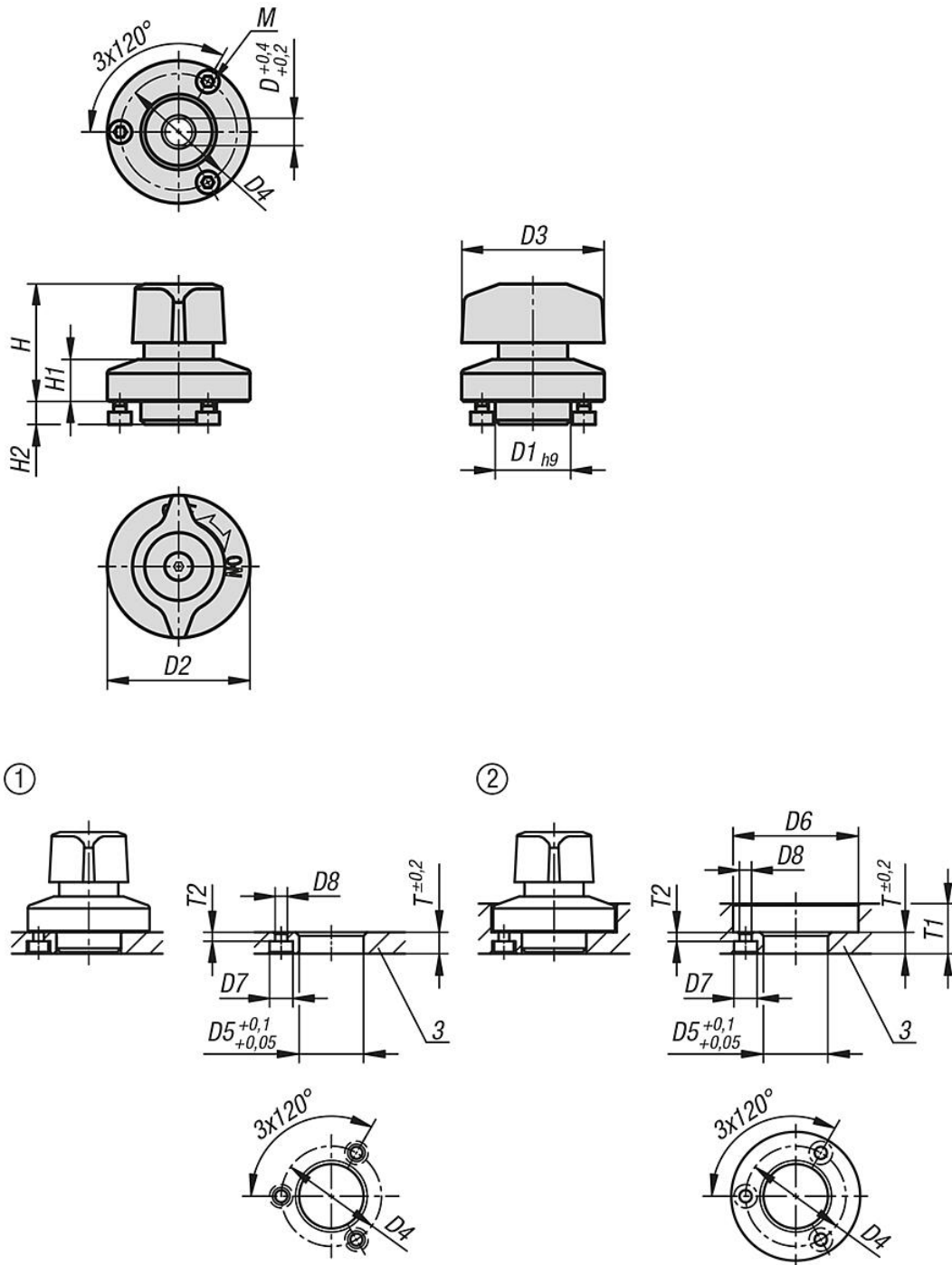
Clamping pins K1564.

#### Drawing reference:

1) plate

Quarter-turn latches stainless steel, rotary knob stainless steel

Drawings



Order No.	Component material	D	D1	D2	D3	D4	H	H1	H2	M	D5	D6	D7	D8	T	T1	T2	Clamping force N	Shearing force kN	Pullout force F kN	Temperature resistance
K1561.114	stainless steel	6	14	25	25	21	23	6,5	5,5	M2x3	14	26	4,4	2,4	6	6-10	2,5	7	1,1	0,25	≤200 °C
K1561.118	stainless steel	8	18	34	34	28	28	10	5,5	M3x4	18	35	6,5	3,4	6	6-14	2,5	9	1,8	0,4	≤200 °C

