

Spacer rings stainless steel for push button latches

Item description/product images



Description

Product description:

In combination with push button latches, the plate thickness can be varied from 3 to 10 mm. See assembly drawing.

Material:

Stainless steel

Version:

Bright.

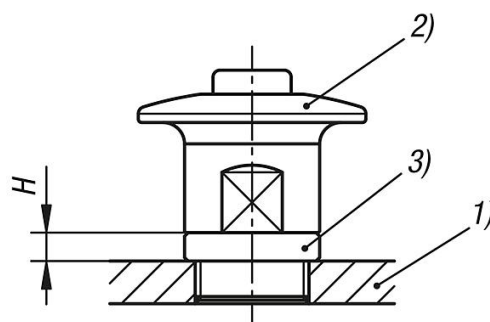
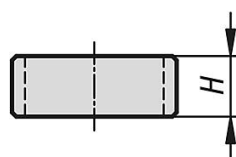
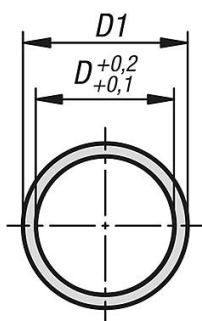
Accessory:

Push button latches K1562.

Drawing reference:

- 1) Plate
- 2) Push button latch
- 3) Spacer ring

Drawings



Spacer rings stainless steel for push button latches**Spacer rings stainless steel for push button latches**

Order No.	D	D1	H
K1563.14	16	19	4
K1563.15	16	19	5
K1563.16	16	19	6
K1563.17	16	19	7