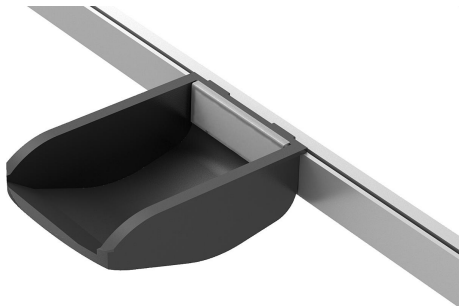
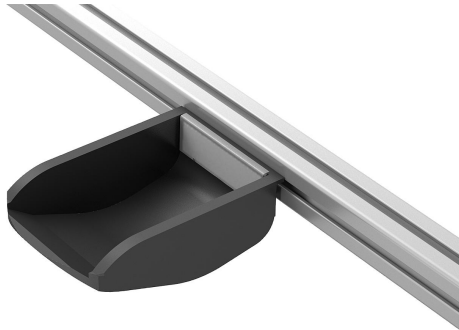


Clip-in shell bins, plastic, for profile slots type I and type B and mounting profiles

Item description/product images



Description

Material:

Trays fiberglass reinforced PA.

Label holder PC.

Elastic buffers PU.

Note:

These bins can be easily clipped into profile slots or mounting profiles.

The bins for mounting profiles can be hooked onto perforated panels.

For holding small parts and selectively picking out the smallest of components.

Supplied with:

1x clip-in shell bin

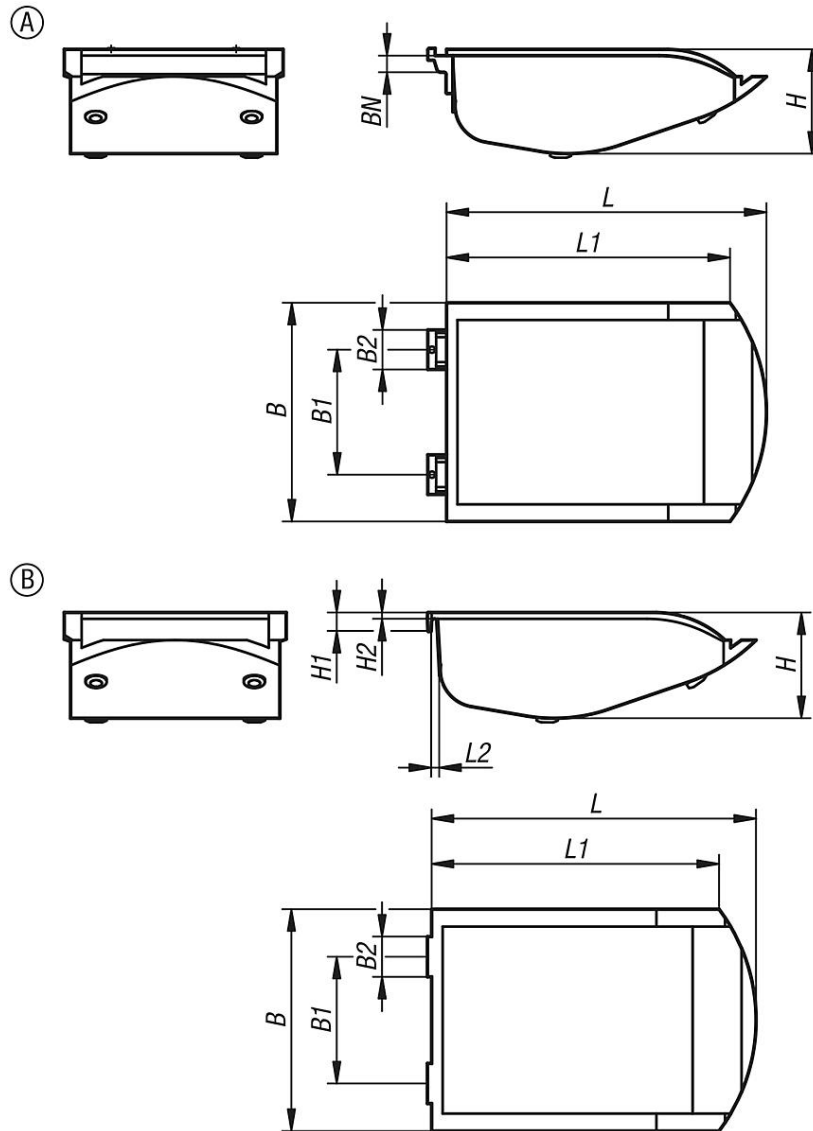
1x label holder

1x label

4x self-adhesive elastic buffers

Clip-in shell bins, plastic, for profile slots type I and type B and mounting profiles

Drawings



Clip-in shell bins, plastic, for profile slots type I and type B and mounting profiles

Order No.	Version 1	style	B	B1	B2	H	H1	H2	L	L1	L2	BN=Slot width
K1631.00	type I	A	105	60	19	50	-	-	153,5	136	-	8
K1631.10	type B	A	105	60	19	50	-	-	153,5	136	-	10
K1631.20	for mounting profile	B	105	60	19	50	9	3	153,5	136	3	-