

## Clip-in bins, plastic, for type I and type B profile slots and mounting profiles

Item description/product images



### Description

#### Material:

Bins fiberglass reinforced PA.

Label holders PC.

#### Note:

These bins can be easily clipped into profile slots or mounting profiles.

The bins for mounting profiles can be hooked onto perforated panels.

For holding small parts.

The bins for mounting profiles can be combined with swivel adapters.

#### Supplied with:

style A: 1x clip-in bin.

style B: 1x clip-in bin.

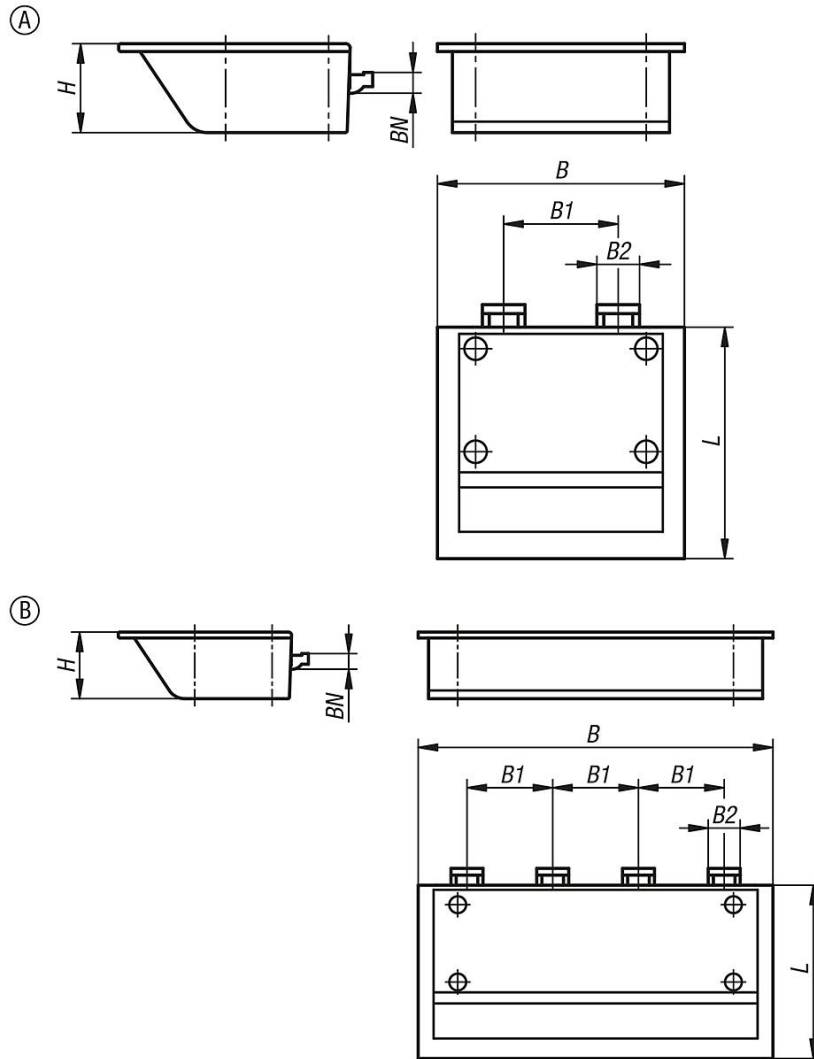
style C: 1x clip-in bin, 1x label holder, 1x label.

style D: 1x clip-in bin, 1x label holder, 1x label.

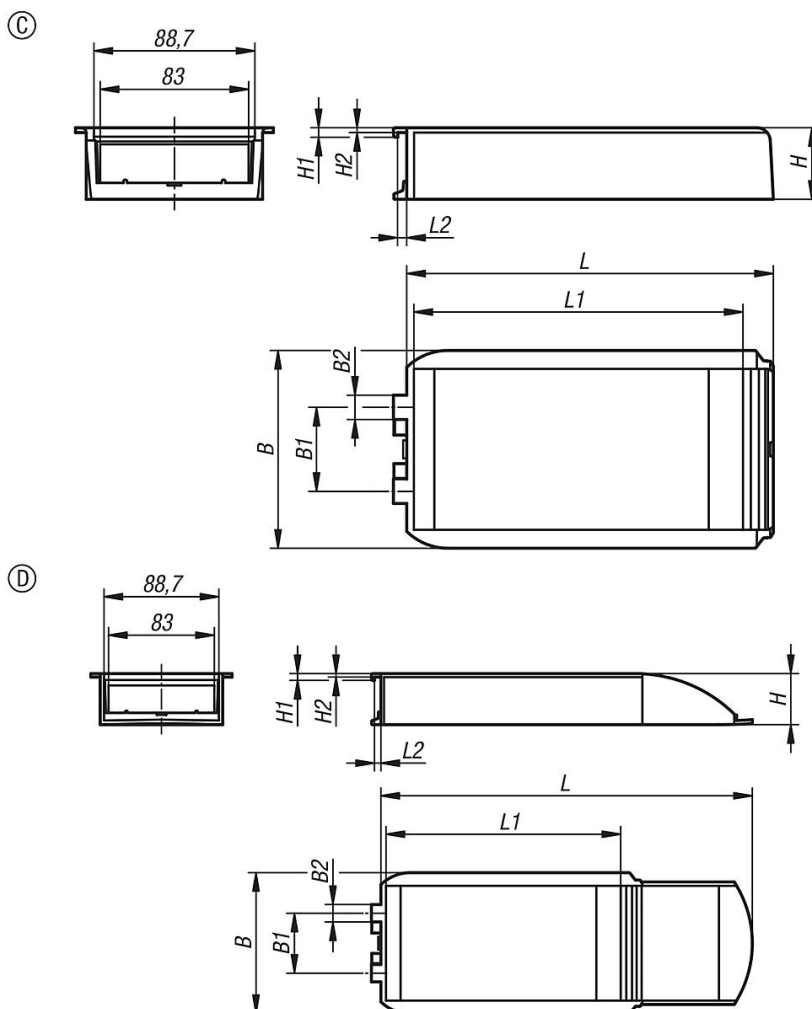
#### Accessory:

Swivel adapter K1630.

Clip-in bins, plastic, for type I and type B profile slots and mounting profiles  
 Drawings



**Clip-in bins, plastic, for type I and type B profile slots and mounting profiles**  
**Drawings**



**Clip-in bins, plastic, for type I and type B profile slots and mounting profiles**

Order No.	Version 1	style	B	B1	B2	H	H1	H2	L	L1	L2
K1629.00110103	type I	A	110	51	19	40	-	-	103,1	-	-
K1629.10110103	type B	A	110	51	19	40	-	-	103,1	-	-
K1629.00211103	type I	B	211	51	19	40	-	-	103,1	-	-
K1629.10211103	type B	B	211	51	19	40	-	-	103,1	-	-
K1629.20110205	for mounting profile	C	110,6	47	13,6	40	8	2,7	200	183	5
K1629.20110291	for mounting profile	D	110,6	47	13,6	40	5,3	2,7	286	183	5