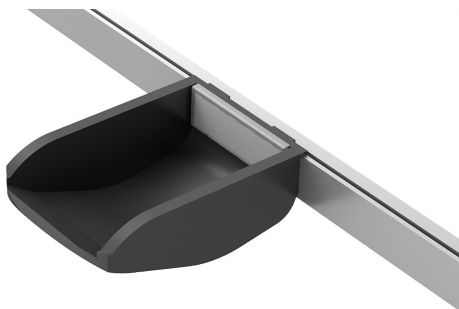
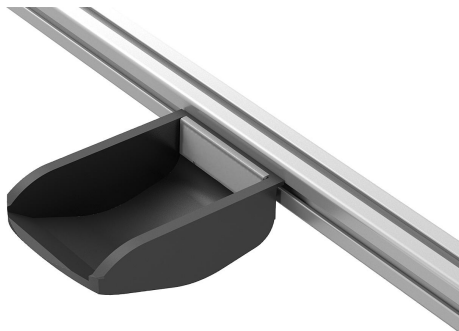


Clip-in shell bins, antistatic plastic, for profile slots type I and type B and mounting profiles

Item description/product images



Description

Material:

Bins carbon fibre reinforced antistatic PA.

Label holder PC.

Elastic buffers PU.

Note:

These bins can be easily clipped into profile slots or mounting profiles.

The bins for mounting profiles can be hooked onto perforated panels.

For holding small parts and selectively picking out the smallest of components.

Application:

Sensitive electrical or electronic equipment, components and devices (ESD sensitive elements) may be damaged or destroyed by electrostatic discharges (ESD) in the immediate vicinity.

Electrostatic discharges can come from people or through handling ESD sensitive components (e.g. during production, assembly, transport, storage etc).

Electrically conductive products which constyle to DIN EN 61340-5-1 are essential within electronic environments to prevent an electrostatic discharge.

These products can be used for ESD applications or in ESD protection areas (EPA) in accordance with DIN EN 61340-5-1.

Supplied with:

1x clip-in shell bin

1x label holder

1x label

4x self-adhesive elastic buffers

Applications:

Device manufacturers required to constyle to ATEX product directive 2014/34/EU.

Operators required to constyle to ATEX worker protection directive 1999/92/EC.

Safety:

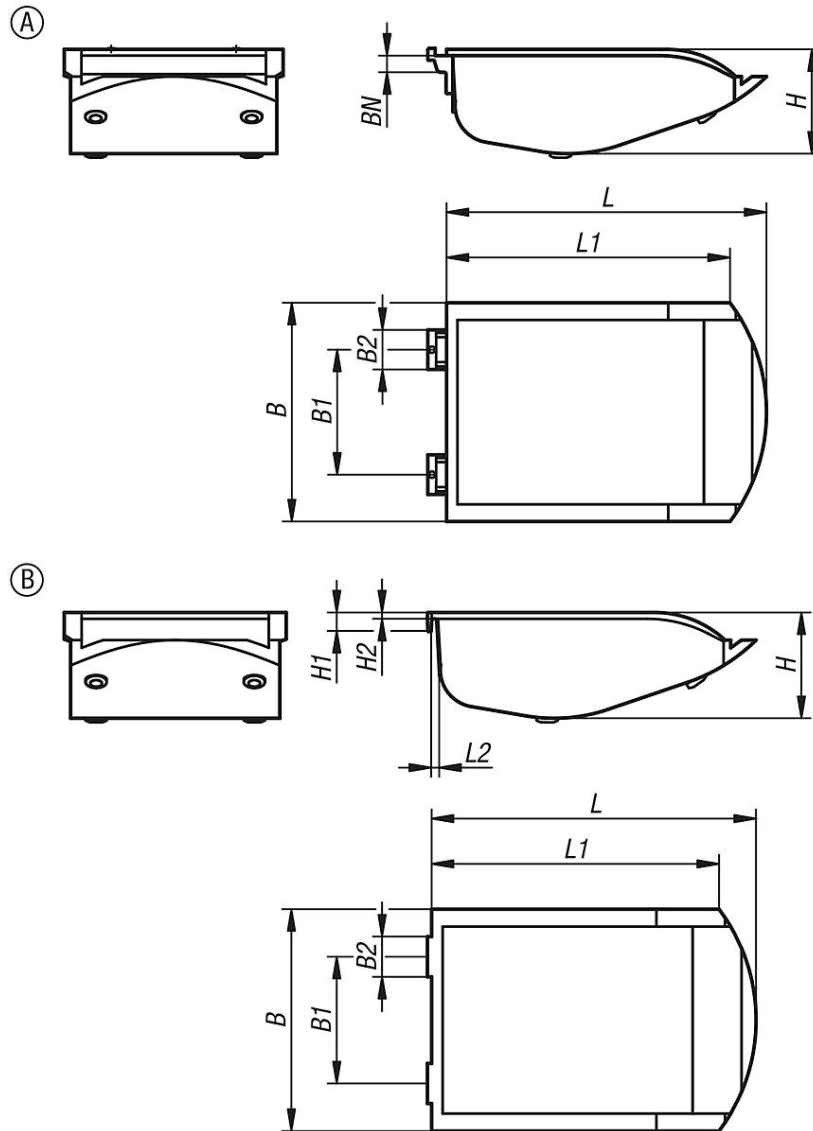
These ESD products can also be used for devices, components and protection systems in areas where there is risk of explosion.

These ESD products prevent electrostatic spark discharges, and eliminate the risk of ignition of gases and dust which could lead to explosions in enclosed spaces.

Manufacturers and operators must apply and comply with the ATEX directives for protecting persons working in areas where there is a risk of explosion.

Clip-in shell bins, antistatic plastic, for profile slots type I and type B and mounting profiles

Drawings



Clip-in shell bins, antistatic plastic, for profile slots type I and type B and mounting profiles

Order No.	Version 1	style	B	B1	B2	H	H1	H2	L	L1	L2	BN=Slot width
K1631.01	type I	A	105	60	19	50	-	-	153,5	136	-	8
K1631.11	type B	A	105	60	19	50	-	-	153,5	136	-	10
K1631.21	for mounting profile	B	105	60	19	50	9	3	153,5	136	3	-