

Cup holder plastic, antistatic for aluminium profiles, closed

Item description/product images



Description

Material:

Cup holder antistatic PA, carbon fibre reinforced.

Note:

The cup holders are fastened to the aluminum profile (type I and type B) using an M5 countersunk screw (K0708) and a slot key (K1026 or K1023).

Application:

Sensitive electrical or electronic equipment, components and devices (ESD sensitive elements) may be damaged or destroyed by electrostatic discharges (ESD) in the immediate vicinity.

Electrostatic discharges can come from people or through handling ESD sensitive components (e.g. during production, assembly, transport, storage etc).

Electrically conductive products which constyle to DIN EN 61340-5-1 are essential within electronic environments to prevent an electrostatic discharge.

These products can be used for ESD applications or in ESD protection areas (EPA) in accordance with DIN EN 61340-5-1.

Supplied with:

1x cup holder.

1x mounting.

Applications:

Device manufacturers required to constyle to ATEX product directive 2014/34/EU.

Operators required to constyle to ATEX worker protection directive 1999/92/EC.

Safety:

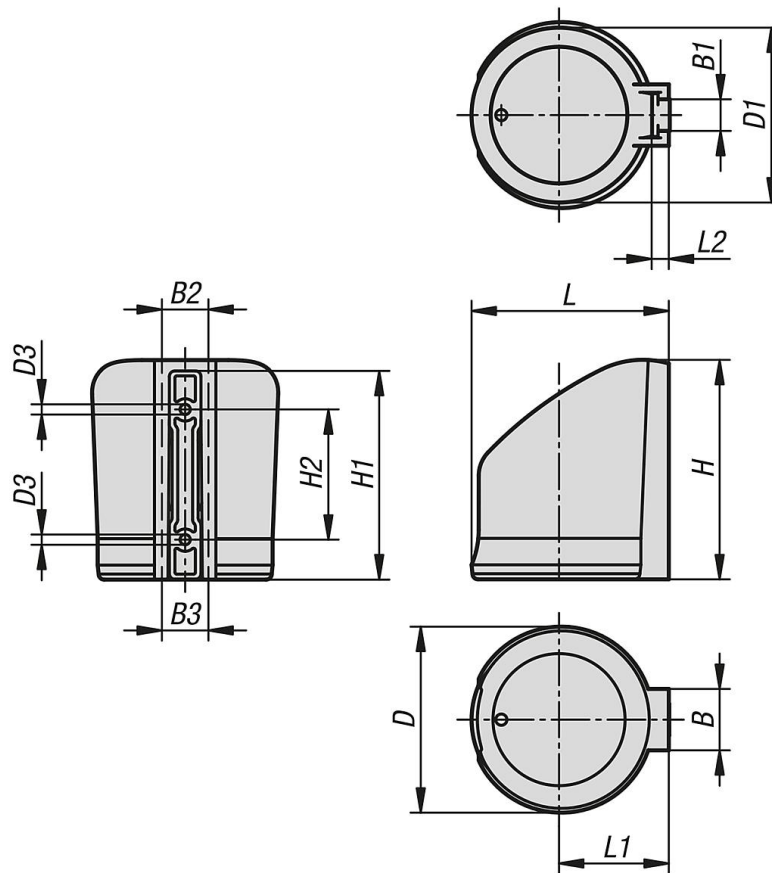
These ESD products can also be used for devices, components and protection systems in areas where there is risk of explosion.

These ESD products prevent electrostatic spark discharges, and eliminate the risk of ignition of gases and dust which could lead to explosions in enclosed spaces.

Manufacturers and operators must apply and comply with the ATEX directives for protecting persons working in areas where there is a risk of explosion.

Cup holder plastic, antistatic for aluminium profiles, closed

Drawings



Cup holder plastic, antistatic for aluminum profiles, closed

Order No.	Version 1	B	B1	B2	B3	D	D1	D3	H	H1	H2	L	L1	L2
K1632.11	closed	33	17	25,5	23	100	93	5,5	118	112	70	106	59	9,3