

Pull handles stainless steel, oval

Item description/product images



Description

Product description:

These pull handles are extremely robust and can be used where rough usage is expected and corrosion resistance required.

Material:

Stainless steel or 1.4404.

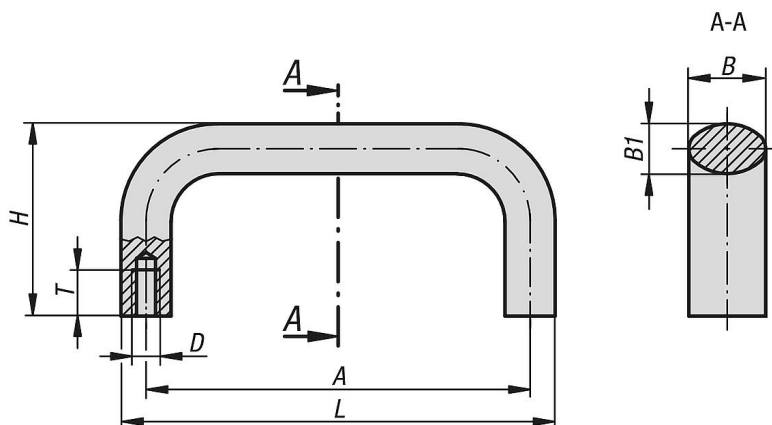
Version:

Polished or blasted.

Assembly:

From the rear.

Drawings



Pull handles stainless steel, oval

Order No.	Steel code	Surface finish body	A	B	B1	D	H	L	T	Load capacity N
K1640.100160061	1.4301	blasted	100	21	13	M6	50	113	12	1000
K1640.112160061	1.4301	blasted	112	21	13	M6	50	125	12	1000
K1640.120160061	1.4301	blasted	120	21	13	M6	50	133	12	1000
K1640.128160061	1.4301	blasted	128	21	13	M6	50	141	12	1000
K1640.160160061	1.4301	blasted	160	21	13	M6	50	173	12	1000
K1640.100161061	1.4301	polished	100	21	13	M6	50	113	12	1000
K1640.112161061	1.4301	polished	112	21	13	M6	50	125	12	1000
K1640.120161061	1.4301	polished	120	21	13	M6	50	133	12	1000
K1640.128161061	1.4301	polished	128	21	13	M6	50	141	12	1000
K1640.160161061	1.4301	polished	160	21	13	M6	50	173	12	1000
K1640.100160062	1.4404	blasted	100	21	13	M6	50	113	12	1000
K1640.112160062	1.4404	blasted	112	21	13	M6	50	125	12	1000
K1640.120160062	1.4404	blasted	120	21	13	M6	50	133	12	1000
K1640.128160062	1.4404	blasted	128	21	13	M6	50	141	12	1000
K1640.160160062	1.4404	blasted	160	21	13	M6	50	173	12	1000
K1640.100161062	1.4404	polished	100	21	13	M6	50	113	12	1000
K1640.112161062	1.4404	polished	112	21	13	M6	50	125	12	1000
K1640.120161062	1.4404	polished	120	21	13	M6	50	133	12	1000
K1640.128161062	1.4404	polished	128	21	13	M6	50	141	12	1000

Pull handles stainless steel, oval

Order No.	Steel code	Surface finish body	A	B	B1	D	H	L	T	Load capacity N
K1640.160161062	1.4404	polished	160	21	13	M6	50	173	12	1000