

## Hinges steel in-frame, opening angle 110°

### Item description/product images

METRIC  
Parts



### Description

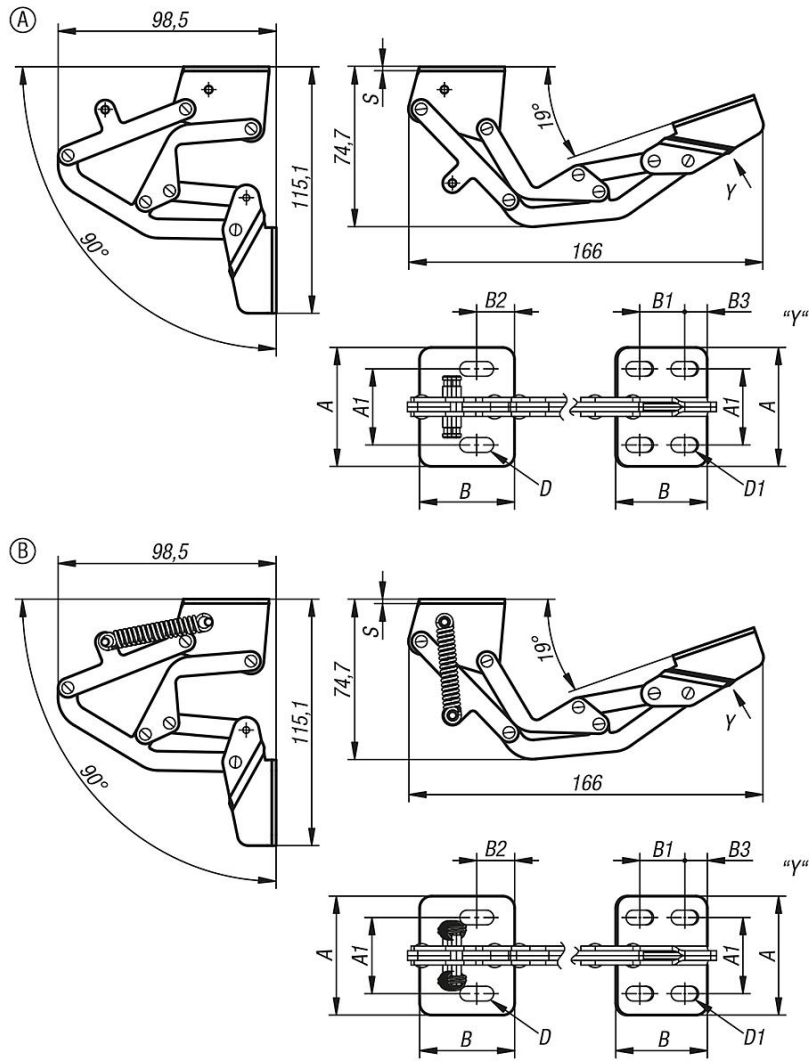
**Material:**  
Steel.

**Version:**  
Electro zinc-plated.

**Note:**  
The hinges are suitable exclusively for horizontal applications.  
The version with spring achieves a torque of 1.0 Nm when opening and a torque of 3.0 Nm when closing.  
Opening angle 110°.

# Hinges steel in-frame, opening angle 110°

## Drawings



## Hinges steel in-frame, opening angle 110°

Order No.	style	Product type	A	A1	B	B1	B2	B3	D	D1	S
K1519.50400	A	hinge in-frame	50	32	40	20	16	10	6,2x14,2	6,2x12,2	2
K1519.50401	B	hinges, in-frame with spring	50	32	40	20	16	10	6,2x14,2	6,2x12,2	2