

Toggle clamps vertical with straight foot and adjustable clamping spindle

Item description/product images



Description

Material:

Steel.

Version:

Electro zinc-plated steel.

Plastic handle, oil-resistant.

Note:

The clamping spindle is supplied with a neoprene thrust pad.

Accessory:

K0688

K0689

K0690

K0101

K1442

K0102

K0103

K1443

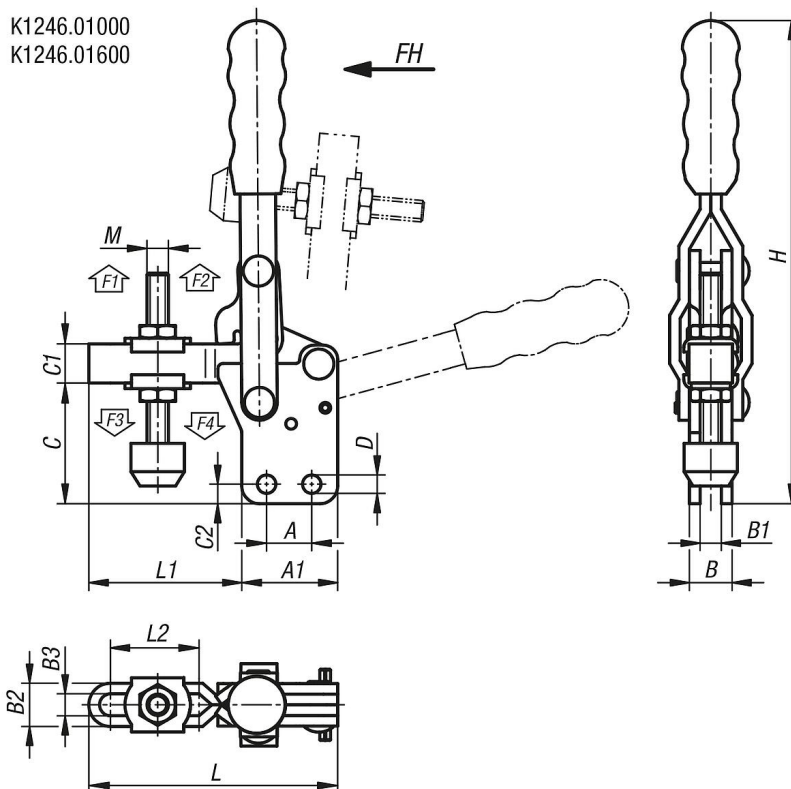
K0104

K0106

K1441

Toggle clamps vertical with straight foot and adjustable clamping spindle

Drawings



Toggle clamps vertical with straight foot and adjustable clamping spindle

Order No.	Opening angle of holding arm	Opening angle of handle	Hand force FH N	Retaining force F1 N	Retaining force F2 N	Clamping force F3 N	Clamping force F4 N
K1246.01000	120°	85°	80	700	1000	500	750
K1246.01600	95°	75°	100	1200	1600	800	1000
K1246.02400	100°	56°	150	1200	2400	800	1600
K1246.04000	112°	61°	250	2000	4000	1400	3000

Order No.	A	A1	B	B1	B2	B3	C	C1	C2	D	H	L	L1	L2	M
K1246.01000	16	26	8	4	9,5	5,5	27,6	9	5	4,4	99,7	57	31	16,6	M5x40
K1246.01600	12,7	27	12	6	12,2	6,2	34	11	5,5	5,2	136	70	43	24,9	M6x50
K1246.02400	19	34,9	12	6	14,3	8,3	46,8	16	7,1	7,2	156	117,2	73,2	49,4	M8x63
K1246.04000	31,8	49,2	14	8	19	11	67,2	19	9,5	8,7	229	139,5	90,3	63,5	M10x85