

## Toggle clamps vertical with flat foot and adjustable clamping spindle

### Item description/product images



### Description

**Material:**

Steel or stainless steel.

**Version:**

Electro zinc-plated steel.

Bright stainless steel.

Plastic handle, oil-resistant.

**Note:**

A neoprene thrust pad is supplied with versions K1257.011200 and K1257.023400.

**Accessory:**

K0688

K0689

K0690

K0101

K1442

K0102

K0103

K1443

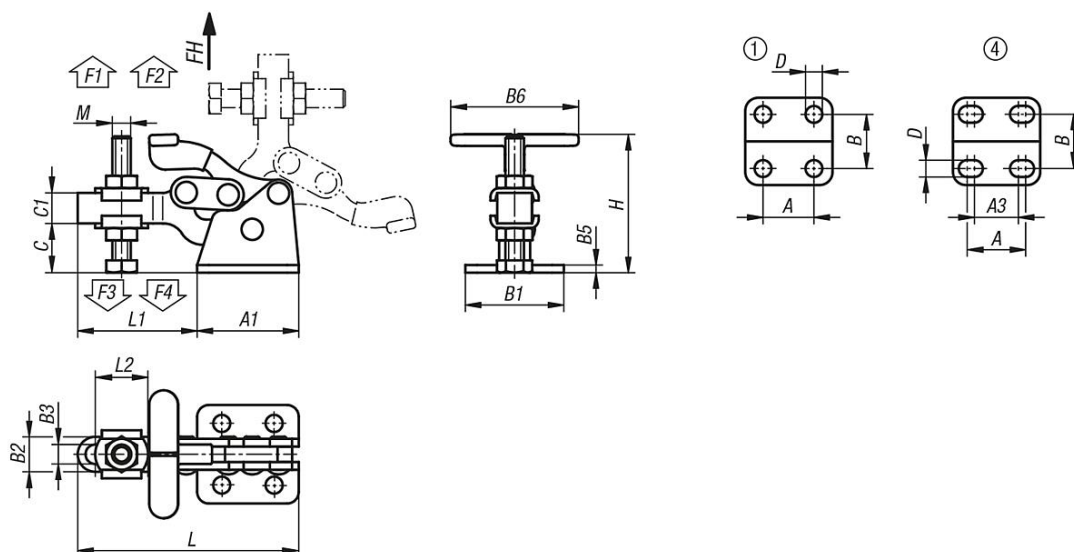
K0104

K0106

K1441

## Toggle clamps vertical with flat foot and adjustable clamping spindle

### Drawings



### Toggle clamps vertical with flat foot and adjustable clamping spindle

Order No.	Main material	hole arrangement	Opening angle of holding arm	Opening angle of handle	Hand force FH N	Retaining force F1 N	Retaining force F2 N	Clamping force F3 N	Clamping force F4 N
K1257.011200	steel	1	90°	170°	50	800	1200	500	700
K1257.023400	steel	4	90°	170°	200	1400	3400	800	1800
K1257.111200	stainless steel	1	90°	170°	50	800	1200	500	700

Order No.	Main material	A	A1	A3	B	B1	B2	B3	B5	B6	C	C1	D	H	L	L1	L2	M
K1257.011200	steel	13,5	26,2	-	15,9	25,4	9	5	2	34	12,7	7,9	4,4	36	57	30,8	12,7	M5x37
K1257.023400	steel	39	64,3	31	38,1	62,7	18,3	10,3	3	70	33,3	19	7,9	91	131,8	67,5	28	M10x80
K1257.111200	stainless steel	13,5	26,2	-	15,9	25,4	9	5	2	34	12,7	7,9	4,4	36	57	30,8	12,7	M5x30