

Toggle clamps horizontal with straight foot and full holding arm

Item description/product images



Description

Material:
Steel.

Version:
Electro zinc-plated steel.
Plastic handle, oil-resistant.

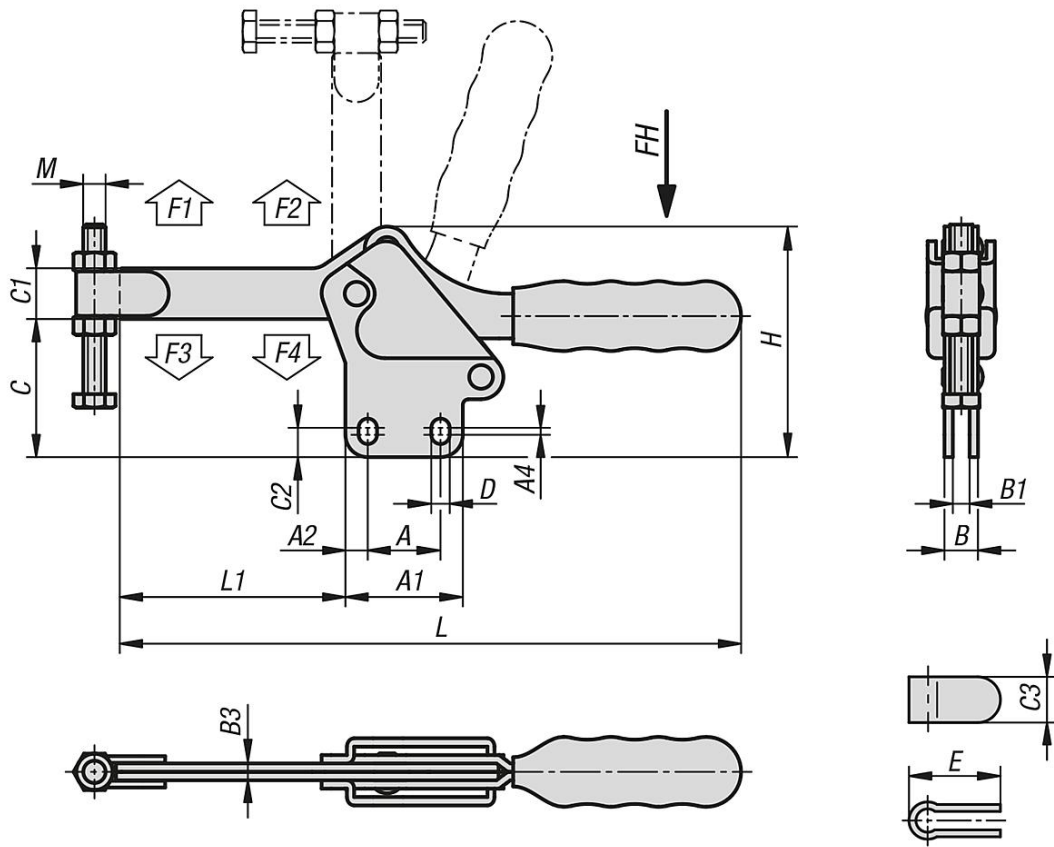
Note:
spindle bracket weldable.

Accessory:

K0688
K0689
K0690
K0101
K1442
K0102
K0103
K1443
K0104
K0106

Toggle clamps horizontal with straight foot and full holding arm

Drawings



Toggle clamps horizontal with straight foot and full holding arm

Order No.	Opening angle of holding arm	Opening angle of handle	Hand force FH N	Retaining force F1 N	Retaining force F2 N	Clamping force F3 N	Clamping force F4 N
K1433.03400	90°	72°	200	1400	3400	800	1900
K1433.05400	94°	76°	250	2400	5400	1100	3000

Order No.	A	A1	A2	A4	B	B1	B3	C	C1	C2	C3	D	E	H	L	L1	M
K1433.03400	26	42	8	2,5	12	6	6	49,7	17,5	10,5	16	6,6	31	82,5	224	82	M8x60
K1433.05400	41,2	59	9	2	16	8	8	63,8	23	10	20	8,7	40	109	280	111	M10x80