

Toggle clamps vertical with flat foot and full holding arm

Item description/product images



Description

Material:
Steel.

Version:
Electro zinc-plated steel.
Plastic handle, oil-resistant.

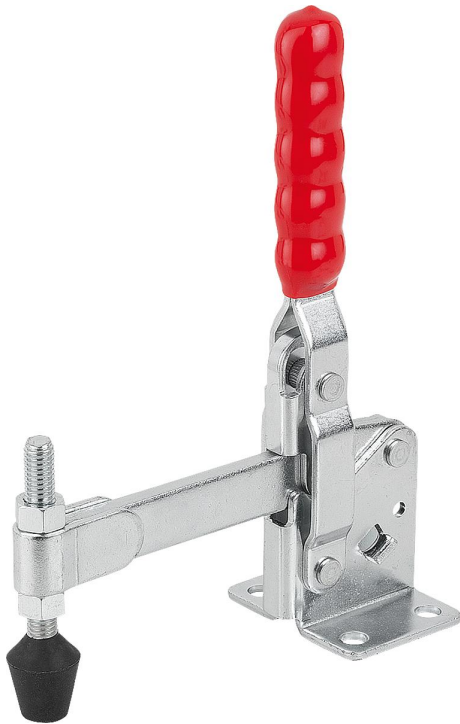
Note:
A neoprene thrust pad is supplied with version K1258.04000.

Accessory:

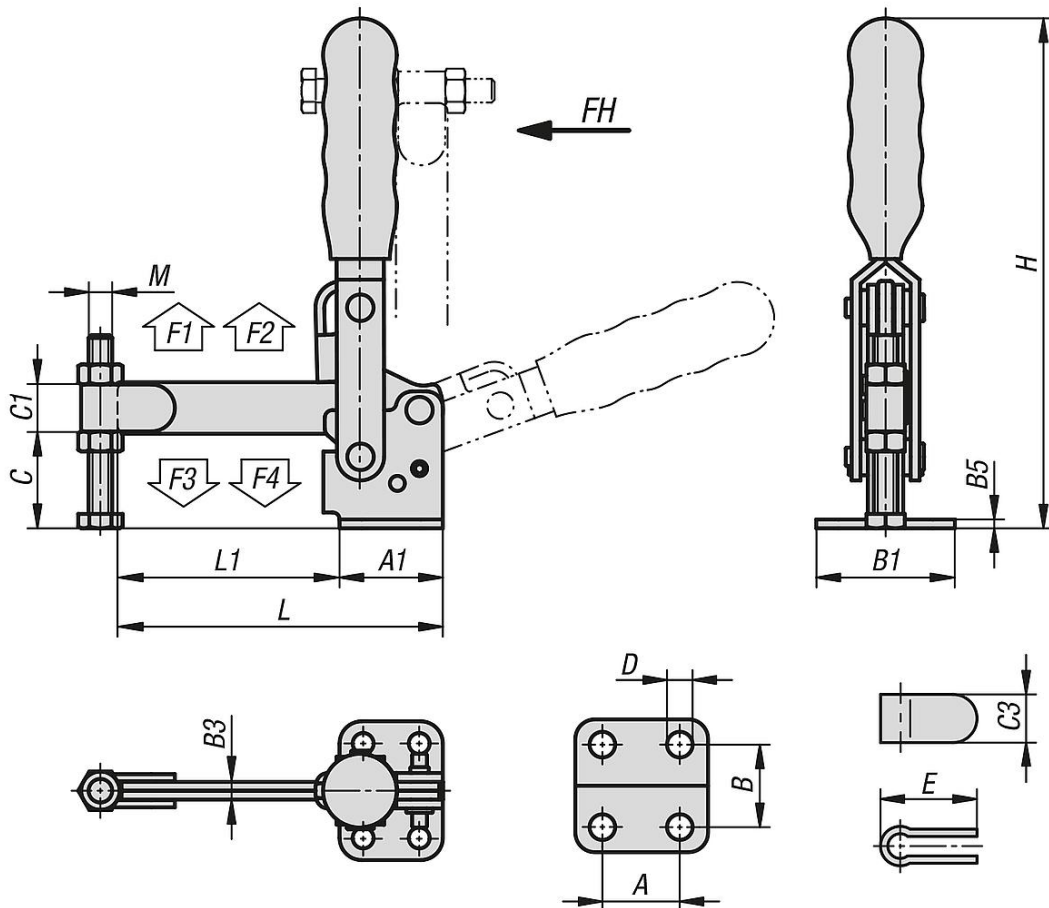
K0688
K0689
K0690
K0101
K1442
K0102
K0103
K1443
K0104
K0106
K1431

Toggle clamps vertical with flat foot and full holding arm

Item description/product images



Drawings



Toggle clamps vertical with flat foot and full holding arm

Toggle clamps vertical with flat foot and full holding arm

Order No.	Opening angle of holding arm	Opening angle of handle	Hand force FH N	Retaining force F1 N	Retaining force F2 N	Clamping force F3 N	Clamping force F4 N
K1258.02600	90°	70°	150	1000	2600	800	1600
K1258.04000	112°	61°	250	2000	4000	1400	3000
K1258.04400	90°	70°	200	2200	4400	1400	2800
K1258.07000	90°	70°	250	3200	7000	1400	3000
K1258.08000	100°	50°	280	3000	8000	1800	3900

Order No.	A	A1	B	B1	B3	B5	C	C1	C3	D	E	H	L	L1	M
K1258.02600	19	35	32	47	6	3	32	17,5	16	7,1	31	173	111,9	73,9	M8x60
K1258.04000	31,8	49,2	45,3	64,3	8	3	44	19	20	8,7	40	206	140,3	91,1	M10x85
K1258.04400	32	50	45	64	8	4	42	22	20	8,3	40	218	148	98	M10x80
K1258.07000	32	53	45	64	10	5	51	25	23	8,7	44	226	178	128	M12x100
K1258.08000	50,8	76,2	69,8	95,2	10	8	82,1	31,8	32	12,3	50	303	234	157,8	M16x150