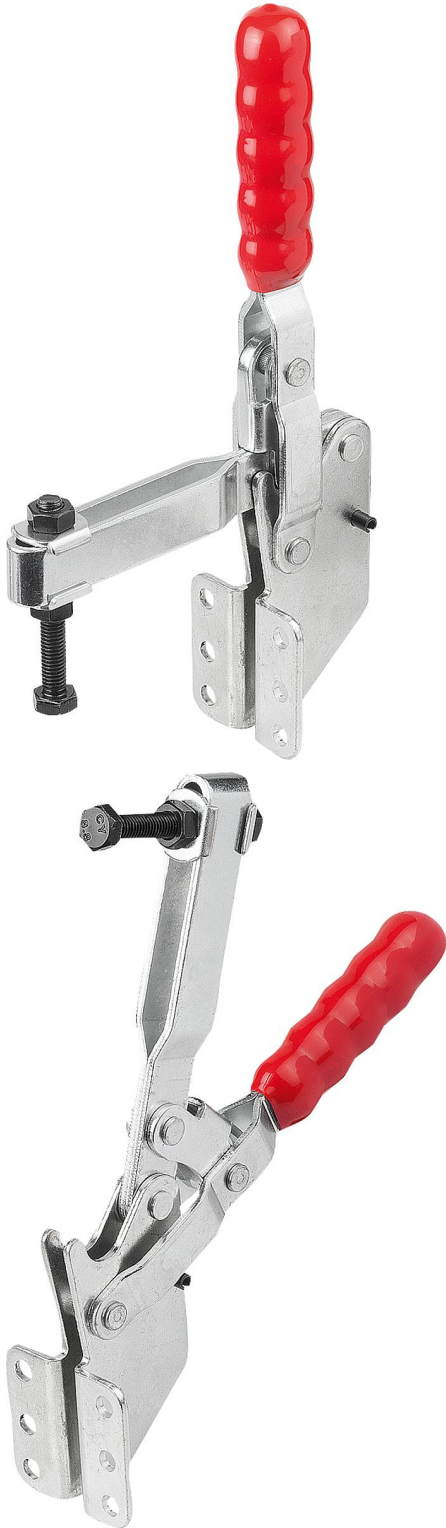


Toggle clamps vertical with angled foot and adjustable clamping spindle

Item description/product images



Description

Material:

Steel.

Version:

Electro zinc-plated steel.

Plastic handle, oil-resistant.

Note:

A neoprene thrust pad is supplied with versions K1259.01000 and K1259.02000.

Accessory:

K0688

K0689

K0690

K0101

K1442

K0102

K0103

K1443

K0104

K0106

K1441

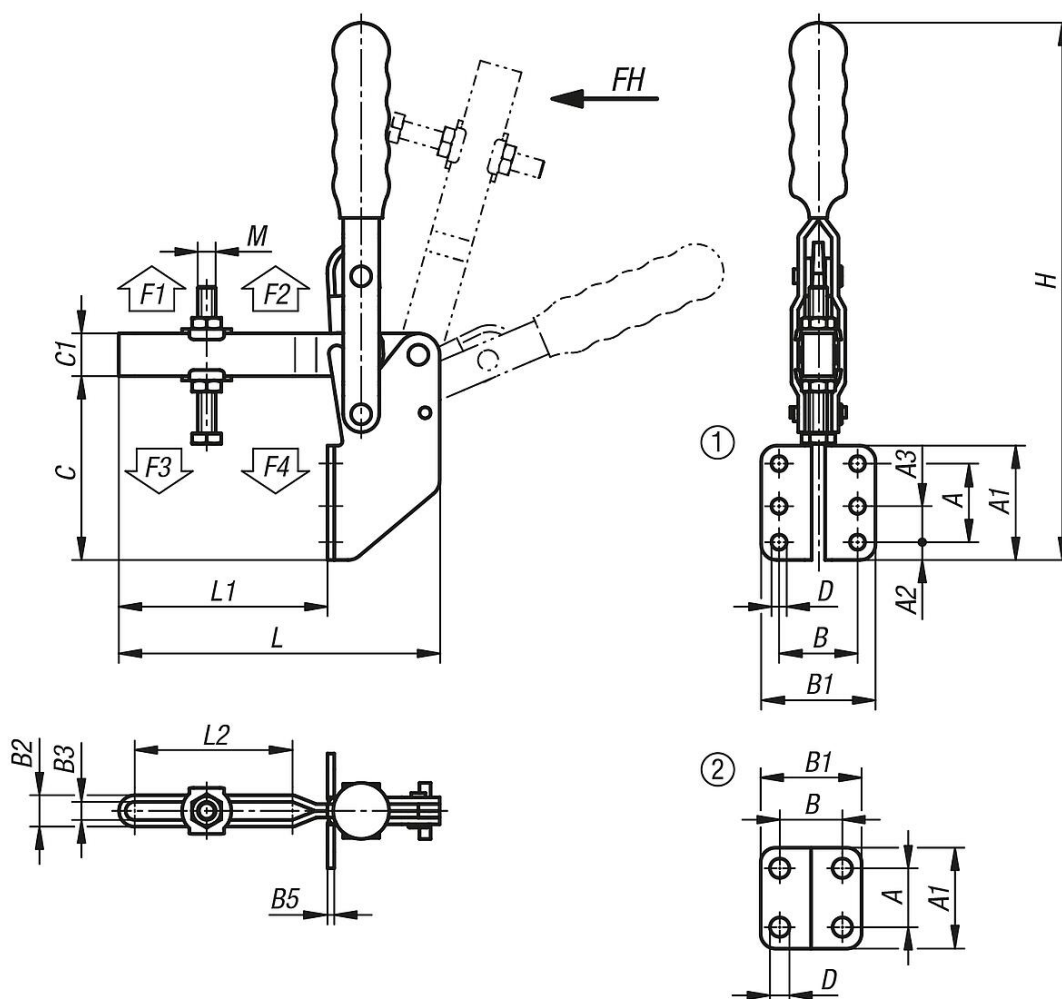
Toggle clamps vertical with angled foot and adjustable clamping spindle

Item description/product images



Toggle clamps vertical with angled foot and adjustable clamping spindle

Drawings



Toggle clamps vertical with angled foot and adjustable clamping spindle

Order No.	hole arrangement	Opening angle of holding arm	Opening angle of handle	Hand force FH N	Retaining force F1 N	Retaining force F2 N	Clamping force F3 N	Clamping force F4 N
K1259.01000	2	96°	69°	50	700	1000	500	800
K1259.02000	2	108°	70°	100	1000	2000	900	1300
K1259.03600	1	106°	67°	100	1800	3600	900	1800

Order No.	A	A1	A2	A3	B	B1	B2	B3	B5	C	C1	D	H	L	L1	L2	M
K1259.01000	14	29	-	-	17,5	28	10	5	2,5	44	10	4,9	121	67	31	26	M5x35
K1259.02000	19	35	-	-	26	42	11	6	3	64	13	5,5	170	79	35	29,5	M6x50
K1259.03600	35	51	8	16	35	51	14,8	8,8	3	82	19	6,8	244	143	93	70	M8x60