

Toggle clamps hook horizontal with catch plate

Item description/product images



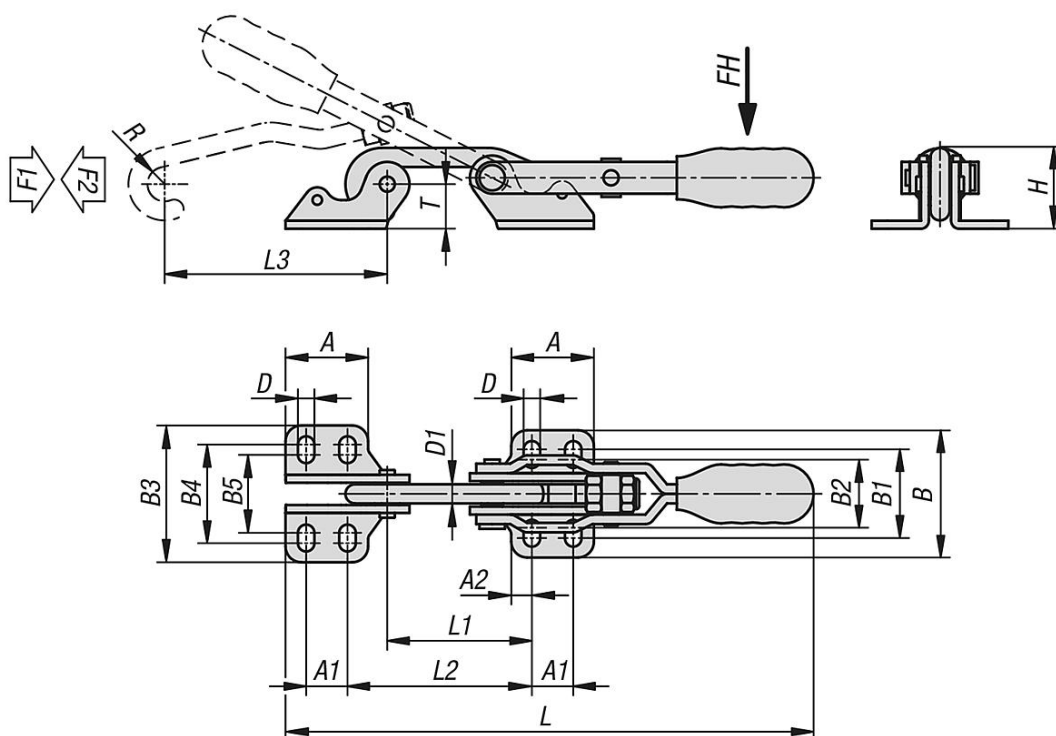
Description

Material:
Steel or stainless steel.

Version:
Electro zinc-plated steel.
Bright stainless steel.
Plastic handle, oil-resistant.

Note:
Horizontal hook toggle clamps are especially suitable for quickly closing and locking covers and hatches.
The amount of travel can be set by altering the hook length.
Adjustment length: 0 - 5 mm.

Drawings



Toggle clamps hook horizontal with catch plate

Toggle clamps hook horizontal with catch plate

Order No.	Main material	Opening angle of handle	Hand force FH N	Traction force F1 N	Retaining force F2 N
K1432.02000	steel	153°	100	1500	2000
K1432.04000	steel	155°	160	3000	4000
K1432.07000	steel	155°	200	4000	7000
K1432.12000	stainless steel	153°	100	1500	2000
K1432.14000	stainless steel	155°	160	3000	4000
K1432.17000	stainless steel	155°	200	4000	7000

Order No.	Main material	A	A1	A2	B	B1	B2	B3	B4	B5	D	D1	H	L	L1	L2	Clamping travel L3	R	T
K1432.02000	steel	26	13	6,5	40	28	21,5	43	31	24,5	5,2	6	25,4	167	45,5	58	70	5,4	14
K1432.04000	steel	35	19	8	52	36	29	57	41	34	6,5	8	35	247	68,2	84	90	7	20
K1432.07000	steel	51	32	9,5	71,5	52,5	43,5	78	59	50	8,5	12	49,3	314	84	104	115	10	27
K1432.12000	stainless steel	26	13	6,5	40	28	21,5	43	31	24,5	5,2	6	25,4	167	45,5	58	70	5,4	14
K1432.14000	stainless steel	35	19	8	52	36	29	57	41	34	6,5	8	35	247	68,2	84	90	7	20
K1432.17000	stainless steel	51	32	9,5	71,5	52,5	43,5	78	59	50	8,5	12	49,3	314	84	104	115	10	27