

Push-Pull Mini-Clamp with mounting bracket

Item description/product images



Description

Material:

Steel or stainless steel.

Version:

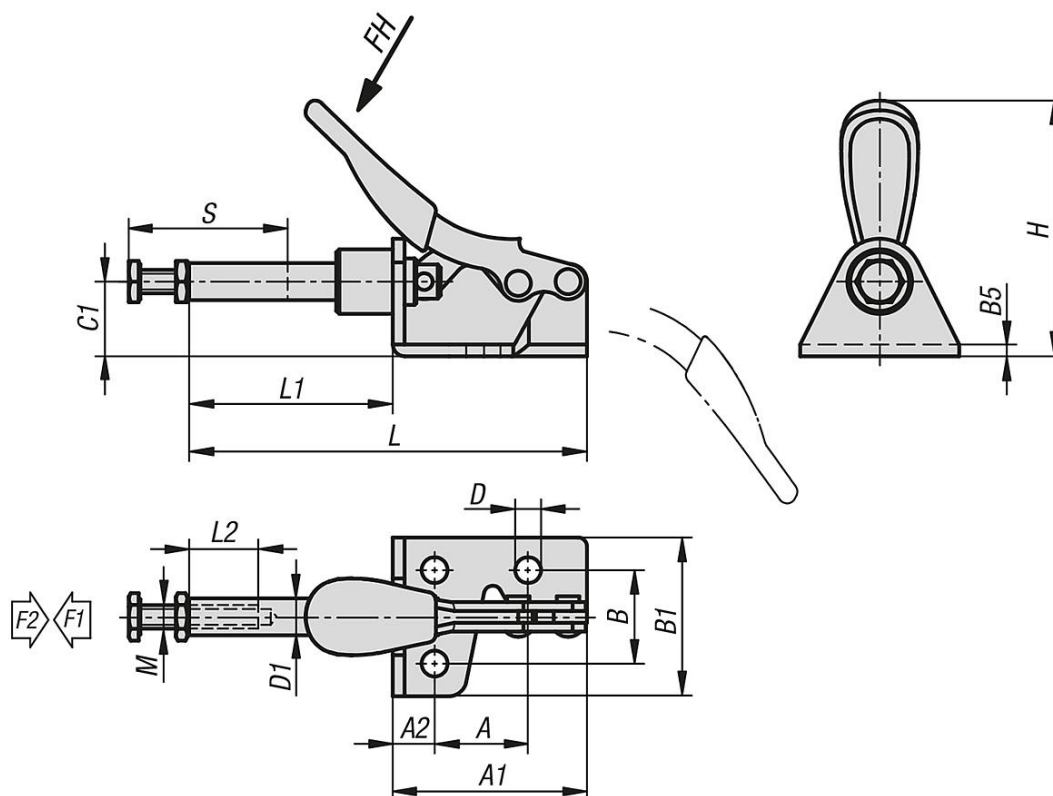
Electro zinc-plated steel.
Bright stainless steel.
Plastic handle, oil-resistant.

Note:

The clamps lock in the open and closed handle positions.
They can be used for thrust or tractive clamping.

Version K1545.00500 has a nylon thrust spindle.

Drawings



Push-Pull Mini-Clamp with mounting bracket

Order No.	Main material	Opening angle of handle	Hand force FH N	Clamping force F1 N	Retaining force F2 N
K1545.00500	steel	190°	80	500	500
K1545.10500	stainless steel	190°	80	500	500

Push-Pull Mini-Clamp with mounting bracket

Order No.	Main material	A	A1	A2	B	B1	B5	C1	D	D1	H	L	L1	L2	M	Travel S
K1545.00500	steel	15,9	33	7,1	15,9	27	2	12,7	4,4	6,3	43,5	67,9	34,9	12	M4x20	17
K1545.10500	stainless steel	15,9	33	7,1	15,9	27	2	12,7	4,4	6,3	43,5	67,9	34,9	12	M4x20	17