

Toggle clamps vertical heavy-duty with adjustable clamping spindle

Item description/product images



Description

Material:

Steel.

Version:

Steel, hardened and passivated.

Plastic handle, oil-resistant.

Accessory:

K0688

K0689

K0101

K1442

K0102

K0103

K1443

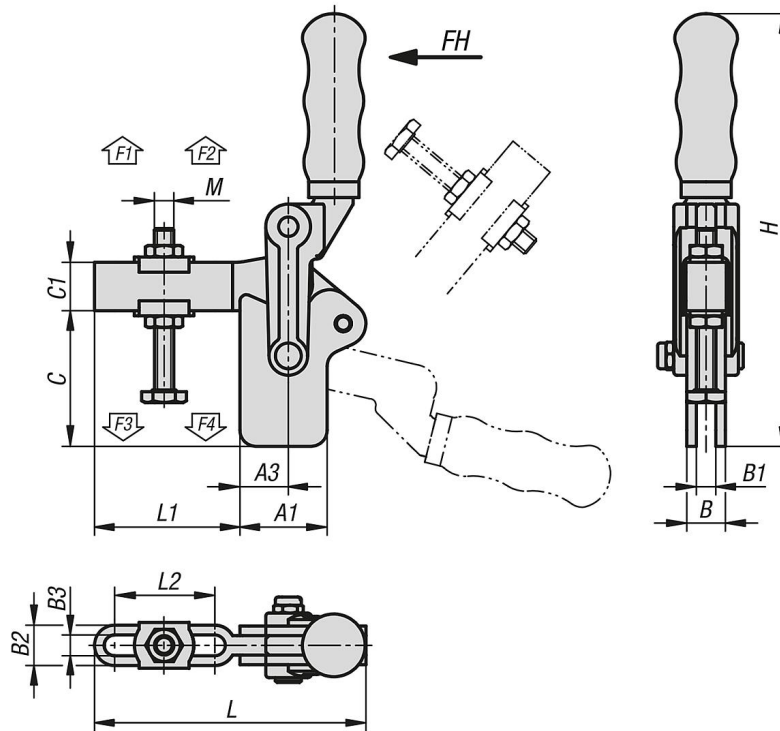
K0104

K0106

K1441

Toggle clamps vertical heavy-duty with adjustable clamping spindle

Drawings



Toggle clamps vertical heavy-duty with adjustable clamping spindle

Order No.	Opening angle of holding arm	Opening angle of handle	Hand force FH N	Retaining force F1 N	Retaining force F2 N	Clamping force F3 N	Clamping force F4 N
K1245.06000	210°	134°	200	3000	6000	800	900

Order No.	A1	A3	B	B1	B2	B3	C	C1	H	L	L1	L2	M
K1245.06000	27	15	12	6	12,5	6,5	42	15	137	84	45	31	M6x50