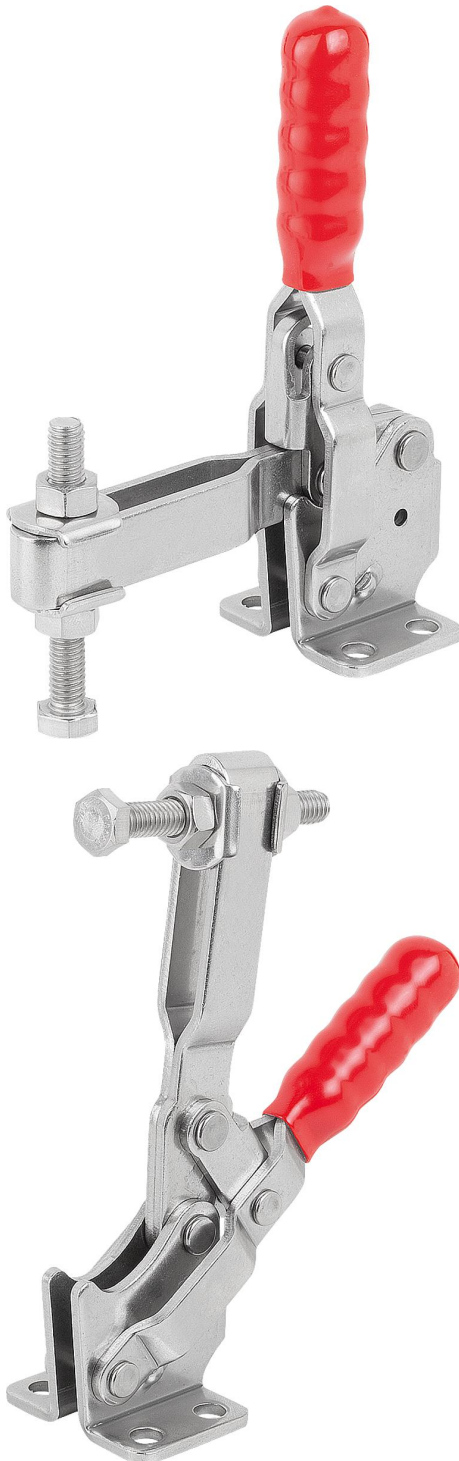


## Toggle clamps vertical with flat foot and adjustable clamping spindle

### Item description/product images



### Description

**Material:**

Steel or stainless steel.

**Version:**

Electro zinc-plated steel.

Bright stainless steel.

Plastic handle, oil-resistant.

**Note:**

A neoprene thrust pad is supplied with versions K1255.001000, K1255.101000, K1255.001800, K1255.010001, K1255.001600, K1255.101600, K1255.002400 and K1255.004000.

**Accessory:**

K0688

K0689

K0690

K0101

K1442

K0102

K0103

K1443

K0104

K0106

K1441

K1431

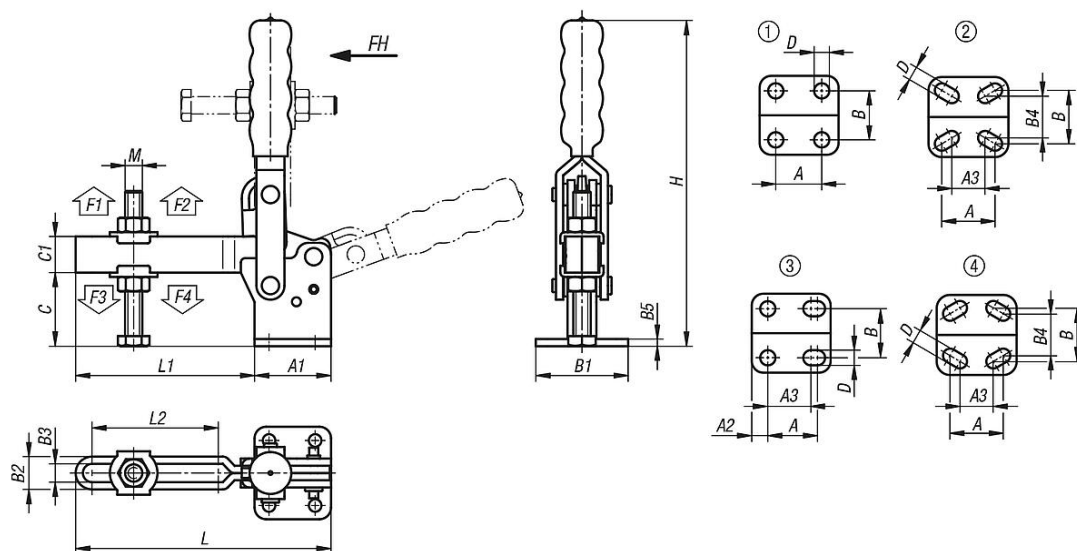
K1255

## Toggle clamps vertical with flat foot and adjustable clamping spindle

Item description/product images



### Drawings



### Toggle clamps vertical with flat foot and adjustable clamping spindle

Order No.	Main material	hole arrangement	Opening angle of holding arm	Opening angle of handle	Hand force FH N	Retaining force F1 N	Retaining force F2 N	Clamping force F3 N	Clamping force F4 N
K1255.001000	steel	1	120°	85°	50	700	1000	500	700
K1255.001800	steel	1	95°	60°	100	800	1800	600	1200
K1255.010001	steel	2	96°	69°	50	700	1000	500	800
K1255.001600	steel	1	95°	75°	100	1200	1600	800	1000
K1255.002000	steel	4	108°	70°	100	1000	2000	900	1200

## Toggle clamps vertical with flat foot and adjustable clamping spindle

Order No.	Main material	hole arrangement	Opening angle of holding arm	Opening angle of handle	Hand force FH N	Retaining force F1 N	Retaining force F2 N	Clamping force F3 N	Clamping force F4 N
K1255.002400	steel	1	100°	56°	150	1200	2400	800	1600
K1255.002600	steel	1	90°	70°	150	1000	2600	800	1600
K1255.004000	steel	1	112°	61°	250	2000	4000	1400	3000
K1255.040001	steel	1	90°	70°	250	2000	4000	1400	3000
K1255.007000	steel	1	90°	70°	250	3200	7000	1400	3000
K1255.003600	steel	3	106°	67°	100	1800	3600	900	1800
K1255.008000	steel	1	100°	50°	280	3000	8000	1800	3900
K1255.101000	stainless steel	1	120°	85°	50	700	1000	500	700
K1255.101800	stainless steel	1	95°	60°	100	800	1800	600	1200
K1255.101600	stainless steel	1	95°	75°	100	1200	1600	800	1000
K1255.102600	stainless steel	1	90°	70°	150	1000	2600	800	1600
K1255.102400	stainless steel	1	100°	56°	150	1200	2400	800	1600
K1255.104000	stainless steel	1	112°	61°	250	2000	4000	1400	3000

Order No.	Main material	A	A1	A2	A3	B	B1	B2	B3	B4	B5	C	C1	D	H	L	L1	L2	M
K1255.001000	steel	16	26	-	-	24	34	9,5	5,5	-	2	16	9	4,4	88	57	31	16,6	M5x35
K1255.001800	steel	12,7	25,4	-	-	27	39,7	13	7	-	3	22,7	9,5	5,2	104	64,7	33,7	19,9	M6x44
K1255.010001	steel	16	29	-	14	24	34	10	5	17,5	2,5	22	10	4,8	97	67	38	27,9	M5x35
K1255.001600	steel	12,7	27	-	-	26,8	37,8	12,2	6,2	-	3	23	11	5,2	125	70	43	24,9	M6x50
K1255.002000	steel	19	35	-	12,7	27	42	11	6	25	3	29	13	5,5	135	79	44	32,9	M6x50
K1255.002400	steel	19	34,9	-	-	31,8	46	14,3	8,3	-	3	31,8	16	7,2	141	117,2	73,2	49,4	M8x63
K1255.002600	steel	19	35	-	-	32	47	14,9	8,9	-	3	32	17,5	7,1	178	110,2	75,2	50,1	M8x60
K1255.004000	steel	31,8	49,2	-	-	45,3	64,3	19	11	-	3	44	19	8,7	206	139,5	90,3	63,5	M10x85
K1255.040001	steel	32	50	-	-	45	64	18,6	10,6	-	4	42	22	8,3	220,4	142,8	92,8	62,2	M10x80
K1255.007000	steel	32	53	-	-	45	64	22,7	12,7	-	5	51	25	8,7	226	177	124	90	M12x100
K1255.003600	steel	25	43	9	19	33,7	51,2	14,8	8,8	-	3	35	19	8	197	143	100	70	M8x60
K1255.008000	steel	50,8	76,2	-	-	69,8	95,2	26,5	16,5	-	8	82,1	31,8	12,3	303	229,2	153	105	M16x150
K1255.101000	stainless steel	16	26	-	-	24	34	9,5	5,5	-	2	16	9	4,4	88	57	31	16,6	M5x35
K1255.101800	stainless steel	12,7	25,4	-	-	27	39,7	13	7	-	3	22,7	9,5	5,2	104	64,7	33,7	19,9	M6x40
K1255.101600	stainless steel	12,7	27	-	-	26,8	37,8	12,2	6,2	-	3	23	11	5,2	125	70	43	24,9	M6x50
K1255.102600	stainless steel	19	35	-	-	32	47	14,9	8,9	-	3	32	17,5	7,1	178	110,2	75,2	50,1	M8x60
K1255.102400	stainless steel	19	34,9	-	-	31,8	46	14,3	8,3	-	3	31,8	16	7,2	141	117,2	73,2	49,4	M8x60
K1255.104000	stainless steel	31,8	49,2	-	-	45,3	64,3	19	11	-	3	44	19	8,7	206	139,5	90,3	63,5	M10x80