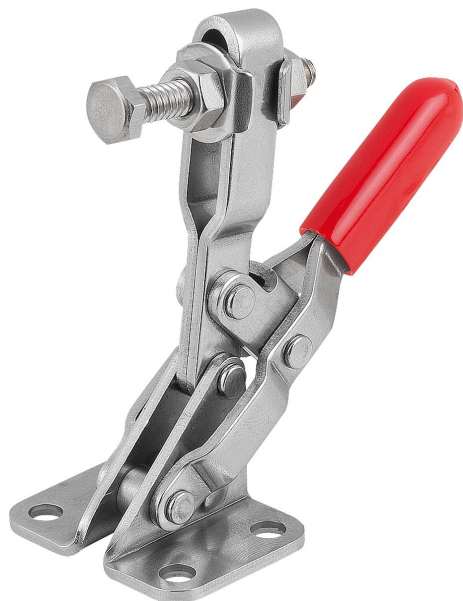
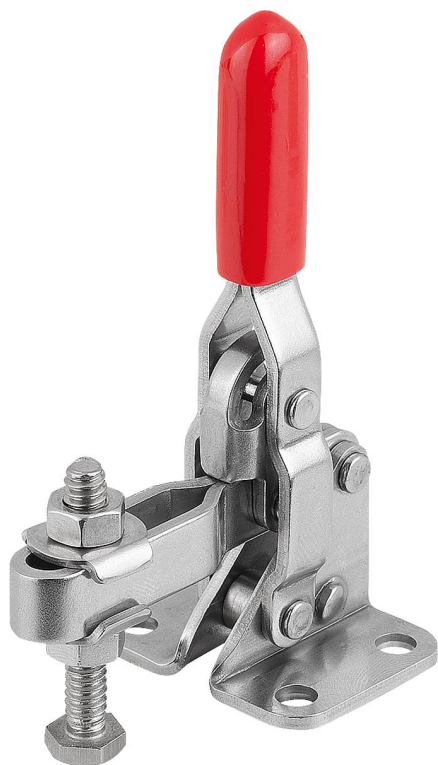


Toggle clamps vertical with flat foot and adjustable clamping spindle

Item description/product images



Description

Material:

Steel or stainless steel.

Version:

Electro zinc-plated steel.

Bright stainless steel.

Plastic handle, oil-resistant.

Note:

A neoprene thrust pad is supplied with version K1256.01000.

Accessory:

K0101

K1442

K0102

K0103

K1443

K0106

K1441

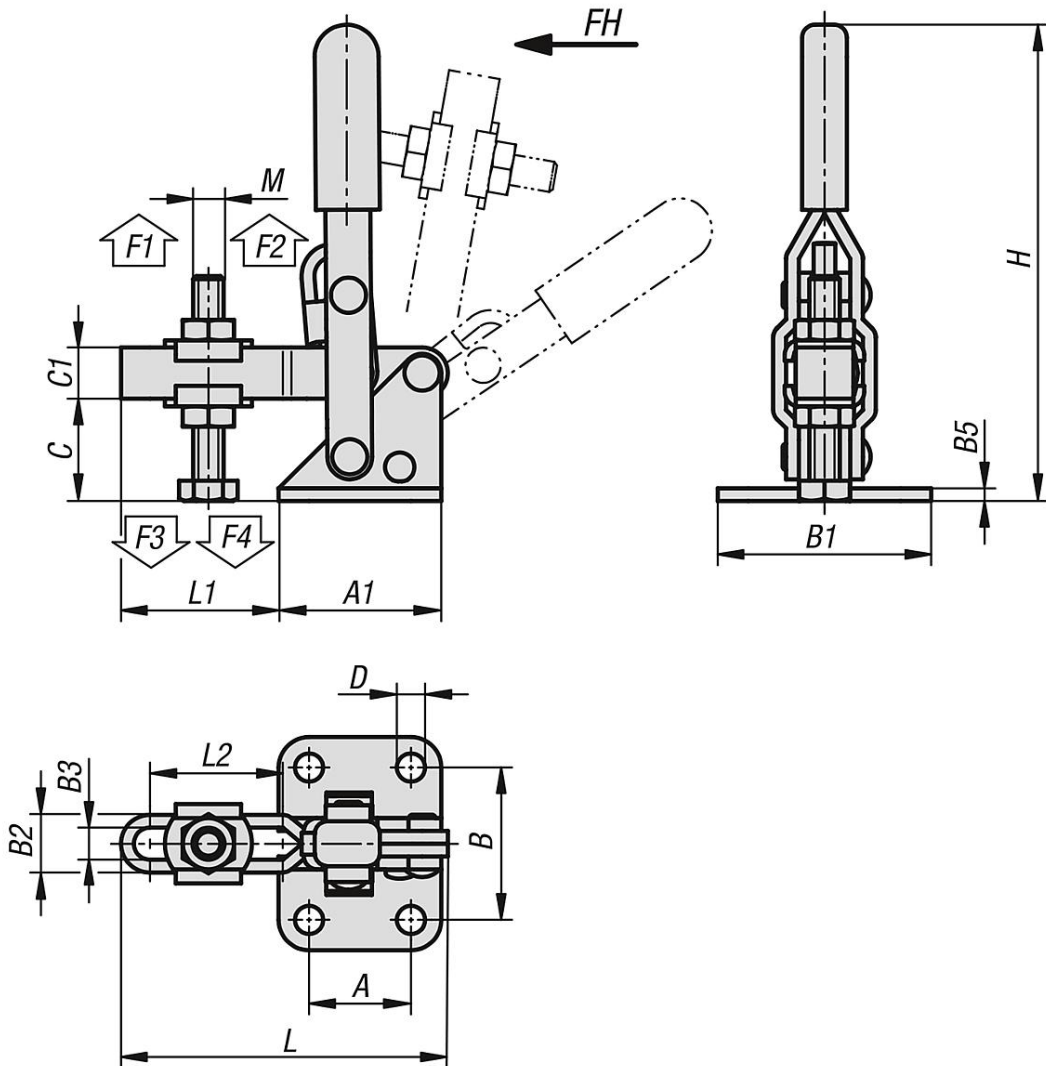
Toggle clamps vertical with flat foot and adjustable clamping spindle

Item description/product images



Toggle clamps vertical with flat foot and adjustable clamping spindle

Drawings



Toggle clamps vertical with flat foot and adjustable clamping spindle

Order No.	Main material	Opening angle of holding arm	Opening angle of handle	Hand force FH N	Retaining force F1 N	Retaining force F2 N	Clamping force F3 N	Clamping force F4 N
K1256.01000	steel	100°	56°	50	700	1000	500	700
K1256.11000	stainless steel	100°	56°	50	700	1000	500	700

Order No.	Main material	A	A1	B	B1	B2	B3	B5	C	C1	D	H	L	L1	L2	M
K1256.01000	steel	15,9	25,4	23,8	33,3	9	5	2	16	8	4,4	74,4	51	24,6	20,8	M5x37
K1256.11000	stainless steel	15,9	25,4	23,8	33,3	9	5	2	16	8	4,4	74,4	51	24,6	20,8	M5x30