

Tommy bars with fixed spindle, DIN 6305

Item description/product images



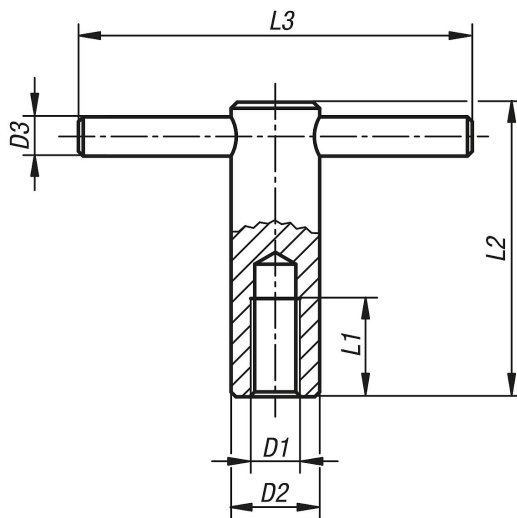
Description

Material:
Steel.

Version:
Black oxidized.

Note:
Tommy Bars with movable spindle have a moving spindle that is held by a compression spring in each desired position. Stop-rings are used to limit the movement.

Drawings



Item No.	Version 1	D1	D2	D3	L1	L2	L3
K0755.110	fixed t-bar	M10	18	8	20	60	80
K0755.112	fixed t-bar	M12	20	10	25	70	100
K0755.116	fixed t-bar	M16	24	12	35	85	120
K0755.120	fixed t-bar	M20	30	16	40	95	140