

Tommy bars with sliding T-bar, DIN 6307

Item description/product images



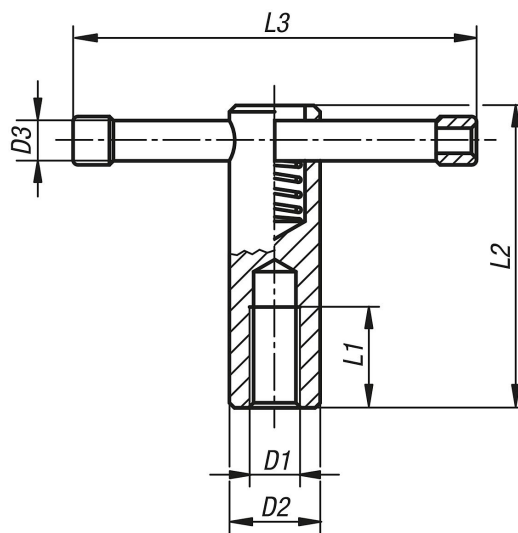
Description

Material:
Steel.

Version:
Black oxidized.

Note:
For fixed spindles, the spindle is press fitted.

Drawings



| Item No. | Version 1 | D1 | D2 | D3 | L1 | L2 | L3 |
|-----------|-------------|-----|----|----|----|----|-----|
| K0755.210 | loose t-bar | M10 | 18 | 8 | 20 | 60 | 80 |
| K0755.212 | loose t-bar | M12 | 20 | 10 | 25 | 70 | 100 |
| K0755.216 | loose t-bar | M16 | 24 | 13 | 35 | 85 | 120 |
| K0755.220 | loose t-bar | M20 | 30 | 16 | 40 | 95 | 140 |