

Thrust screws with fixed T-bar, DIN 6304

Item description/product images



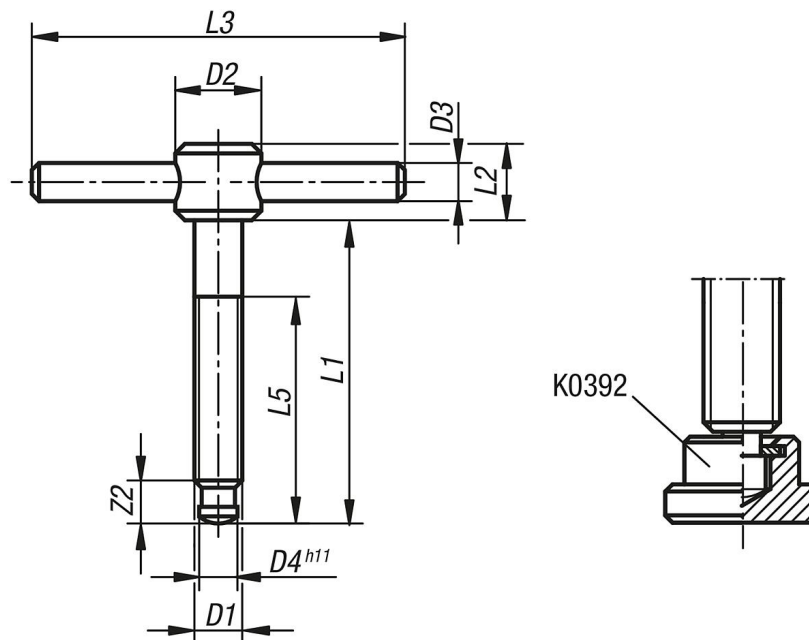
Description

Material:
Steel.

Version:
Black oxidized. Thrust pin hardened.

Note:
For fixed spindles, the spindle is press fitted.

Drawings



| Item No. | Version 1 | D1 | D2 | D3 | D4 | L1 | L2 | L3 | L5 | Z2 |
|---------------|-------------|-----|----|----|------|-----|----|-----|----|-----|
| K0756.106X40 | fixed t-bar | M6 | 12 | 5 | 4,5 | 40 | 10 | 50 | 30 | 6 |
| K0756.106X50 | fixed t-bar | M6 | 12 | 5 | 4,5 | 50 | 10 | 50 | 40 | 6 |
| K0756.108X50 | fixed t-bar | M8 | 14 | 6 | 6 | 50 | 12 | 60 | 35 | 7,5 |
| K0756.108X60 | fixed t-bar | M8 | 14 | 6 | 6 | 60 | 12 | 60 | 45 | 7,5 |
| K0756.110X60 | fixed t-bar | M10 | 18 | 8 | 8 | 60 | 14 | 80 | 40 | 9 |
| K0756.110X70 | fixed t-bar | M10 | 18 | 8 | 8 | 70 | 14 | 80 | 50 | 9 |
| K0756.112X70 | fixed t-bar | M12 | 20 | 10 | 8 | 70 | 18 | 100 | 50 | 10 |
| K0756.112X80 | fixed t-bar | M12 | 20 | 10 | 8 | 80 | 18 | 100 | 60 | 10 |
| K0756.116X75 | fixed t-bar | M16 | 24 | 12 | 12 | 75 | 20 | 120 | 55 | 12 |
| K0756.116X90 | fixed t-bar | M16 | 24 | 12 | 12 | 90 | 20 | 120 | 70 | 12 |
| K0756.116X110 | fixed t-bar | M16 | 24 | 12 | 12 | 110 | 20 | 120 | 90 | 12 |
| K0756.120X75 | fixed t-bar | M20 | 30 | 16 | 15,5 | 75 | 28 | 140 | 55 | 14 |
| K0756.120X90 | fixed t-bar | M20 | 30 | 16 | 15,5 | 90 | 28 | 140 | 70 | 14 |
| K0756.120X110 | fixed t-bar | M20 | 30 | 16 | 15,5 | 110 | 28 | 140 | 90 | 14 |

