

Handwheels 2-spoke, aluminum, flat rim, revolving grip

Item description/product images

METRIC
Parts



Description

Material:

Handwheels aluminum.

Cylinder grip black thermoset PF 31-DIN 7708, center pin electro zinc-plated steel.

Version:

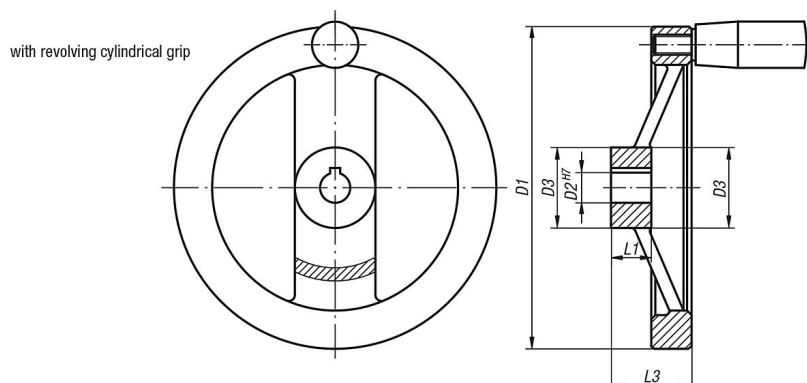
Black, powder-coated.

Wheel rim turned.

On request:

Hubs with square socket.

Drawings



Order No.	Version 1	D1	D2	D3	L1	L3	B3	T	Revolving cylinder grip
K0162.41080X10	reamed hole	80	10H7	24	16	28	-	-	ø18 x M6 x 40
K0162.41080X12	reamed hole	80	12H7	24	16	28	-	-	ø18 x M6 x 40
K0162.41100X10	reamed hole	100	10H7	26	17	33	-	-	ø18 x M6 x 40
K0162.41100X12	reamed hole	100	12H7	26	17	33	-	-	ø18 x M6 x 40
K0162.41125X12	reamed hole	125	12H7	31	18	33,5	-	-	ø22 x M8 x 56
K0162.41125X14	reamed hole	125	14H7	31	18	33,5	-	-	ø22 x M8 x 56
K0162.41160X14	reamed hole	160	14H7	40	20	39	-	-	ø26 x M10 x 80
K0162.41160X16	reamed hole	160	16H7	40	20	39	-	-	ø26 x M10 x 80
K0162.41200X18	reamed hole	200	18H7	42	24	45	-	-	ø26 x M10 x 80
K0162.41200X20	reamed hole	200	20H7	42	24	45	-	-	ø26 x M10 x 80
K0162.41250X22	reamed hole	250	22H7	48	28	51	-	-	ø31 x M12 x 102
K0162.41250X26	reamed hole	250	26H7	48	28	51	-	-	ø31 x M12 x 102
K0162.51080X10	reamed hole with slot	80	10H7	24	16	28	3	11,4	ø18 x M6 x 40
K0162.51080X12	reamed hole with slot	80	12H7	24	16	28	4	13,8	ø18 x M6 x 40
K0162.51100X10	reamed hole with slot	100	10H7	26	17	33	3	11,4	ø18 x M6 x 40
K0162.51100X12	reamed hole with slot	100	12H7	26	17	33	4	13,8	ø18 x M6 x 40

Handwheels 2-spoke, aluminum, flat rim, revolving grip

Order No.	Version 1	D1	D2	D3	L1	L3	B3	T	Revolving cylinder grip
K0162.51125X12	reamed hole with slot	125	12H7	31	18	33,5	4	13,8	ø22 x M8 x 56
K0162.51125X14	reamed hole with slot	125	14H7	31	18	33,5	5	16,3	ø22 x M8 x 56
K0162.51160X14	reamed hole with slot	160	14H7	40	20	39	5	16,3	ø26 x M10 x 80
K0162.51160X16	reamed hole with slot	160	16H7	40	20	39	5	18,3	ø26 x M10 x 80
K0162.51200X18	reamed hole with slot	200	18H7	42	24	45	6	20,8	ø26 x M10 x 80
K0162.51200X20	reamed hole with slot	200	20H7	42	24	45	6	22,8	ø26 x M10 x 80
K0162.51250X22	reamed hole with slot	250	22H7	48	28	51	6	24,8	ø31 x M12 x 102
K0162.51250X26	reamed hole with slot	250	26H7	48	28	51	8	29,3	ø31 x M12 x 102