

Crank Handles with fold-away grip, metric

Item description/product images

METRIC Parts



Description

Material:

Crank thermoplastic.
Cylinder grip thermoplastic and steel.

Version:

Black gray thermoplastic.
Steel parts black oxidized.

Note:

The hub cover is supplied unassembled.
Versions with transverse bore are secured using the ISO 4027 (DIN 914) grub screw.

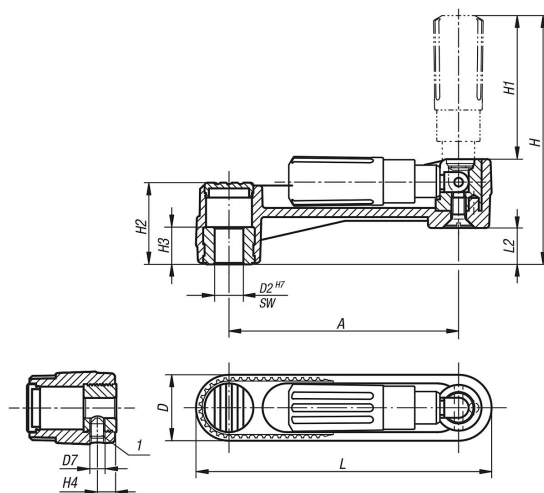
Accessory:

K1160 Cap screws with low head DIN 6912

Drawing reference:

1) Position of the transverse bore to the keyway is offset by 90°.

Drawings



Item No.	Version 1	Version 2	Size	A	D	D2	D7	H	H1	H2	H3	H4	L	L2
K0266.1108	reamed hole	without transverse hole	1	80	24	8	-	85,7	49	28,5	13	-	104	12,7
K0266.1110	reamed hole	without transverse hole	1	80	24	10	-	85,7	49	28,5	13	-	104	12,7
K0266.1210	reamed hole	without transverse hole	2	100	29	10	-	105,2	49	35,5	13	-	129	15,7
K0266.1212	reamed hole	without transverse hole	2	100	29	12	-	105,2	59,5	35,5	13	-	129	15,7
K0266.1312	reamed hole	without transverse hole	3	125	36	12	-	140	83	44	18,5	-	161	19,5
K0266.1314	reamed hole	without transverse hole	3	125	36	14	-	140	83	44	18,5	-	161	19,5
K0266.11086	reamed hole	with transverse bore	1	80	24	8	M6	85,7	49	28,5	13	7,5	104	12,7
K0266.11106	reamed hole	with transverse bore	1	80	24	10	M6	85,7	49	28,5	13	7,5	104	12,7
K0266.12106	reamed hole	with transverse bore	2	100	29	10	M6	105,2	59,5	35,5	13	7,5	129	15,7
K0266.12126	reamed hole	with transverse bore	2	100	29	12	M6	105,2	59,5	35,5	13	7,5	129	15,7

Crank Handles with fold-away grip, metric

Item No.	Version 1	Version 2	Size	A	D	D2	D7	H	H1	H2	H3	H4	L	L2
K0266.13126	reamed hole	with transverse bore	3	125	36	12	M6	140	83	44	18,5	7,5	161	19,5
K0266.13146	reamed hole	with transverse bore	3	125	36	14	M6	140	83	44	18,5	7,5	161	19,5