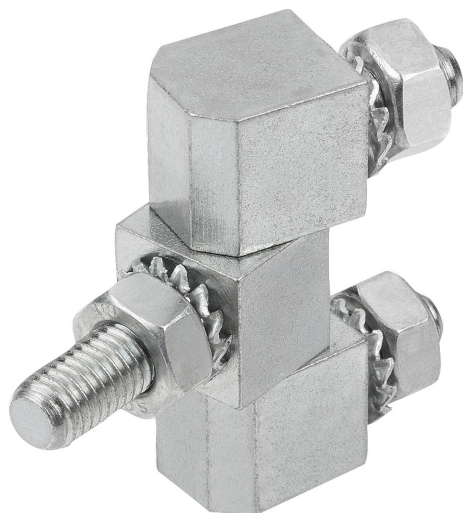


Block hinges with fastening nuts, style A

Item description/product images

METRIC
Parts



Description

Material:

Steel.
Stainless steel 1.4305.
Stainless steel A4 1.4401.

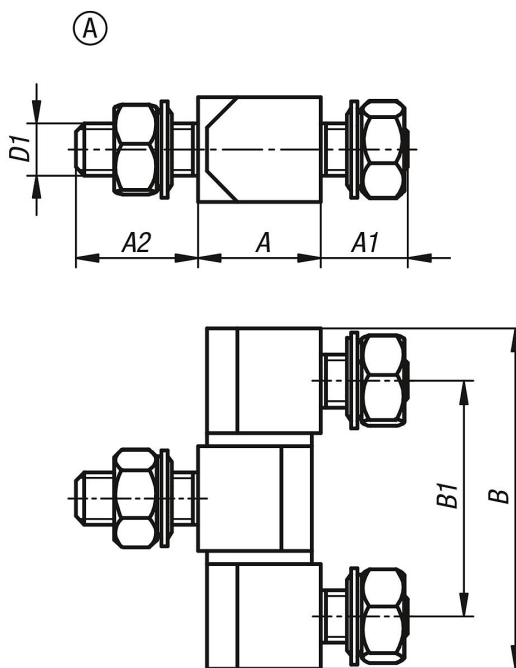
Version:

Steel electro zinc-plated.
Stainless steel bright.

Note:

Block hinges with fastening nuts for overlapping or inset doors.
Mounted with nuts (M6 or M8) from inside. The 3-part versions are not detachable.
The hinge can be used left or right. The opening angle is 180°. Supplied unassembled.
Fastening nuts and washers are supplied.

Drawings



Order No.	style	Main material	Steel code	A	A1	A2	B	B1	D1
K1142.0614027	A	steel	-	13	10	14	39	27	M6
K1142.0820033	A	steel	-	18	14	22	49	33	M8
K1142.10614027	A	stainless steel	1.4305	13	10	14	39	27	M6
K1142.10820033	A	stainless steel	1.4305	18	14	22	49	33	M8
K1142.20614027	A	stainless steel	1.4401	13	10	14	39	27	M6
K1142.20820033	A	stainless steel	1.4401	18	14	22	49	33	M8

