

Crank handles with cylindrical revolving grip, with square socket

Item description/product images

METRIC
Parts



Description

Material:

Crank thermoplastic.
Cylinder grip thermoplastic and steel.

Version:

Black gray thermoplastic.
Steel parts black oxidized.

Accessory:

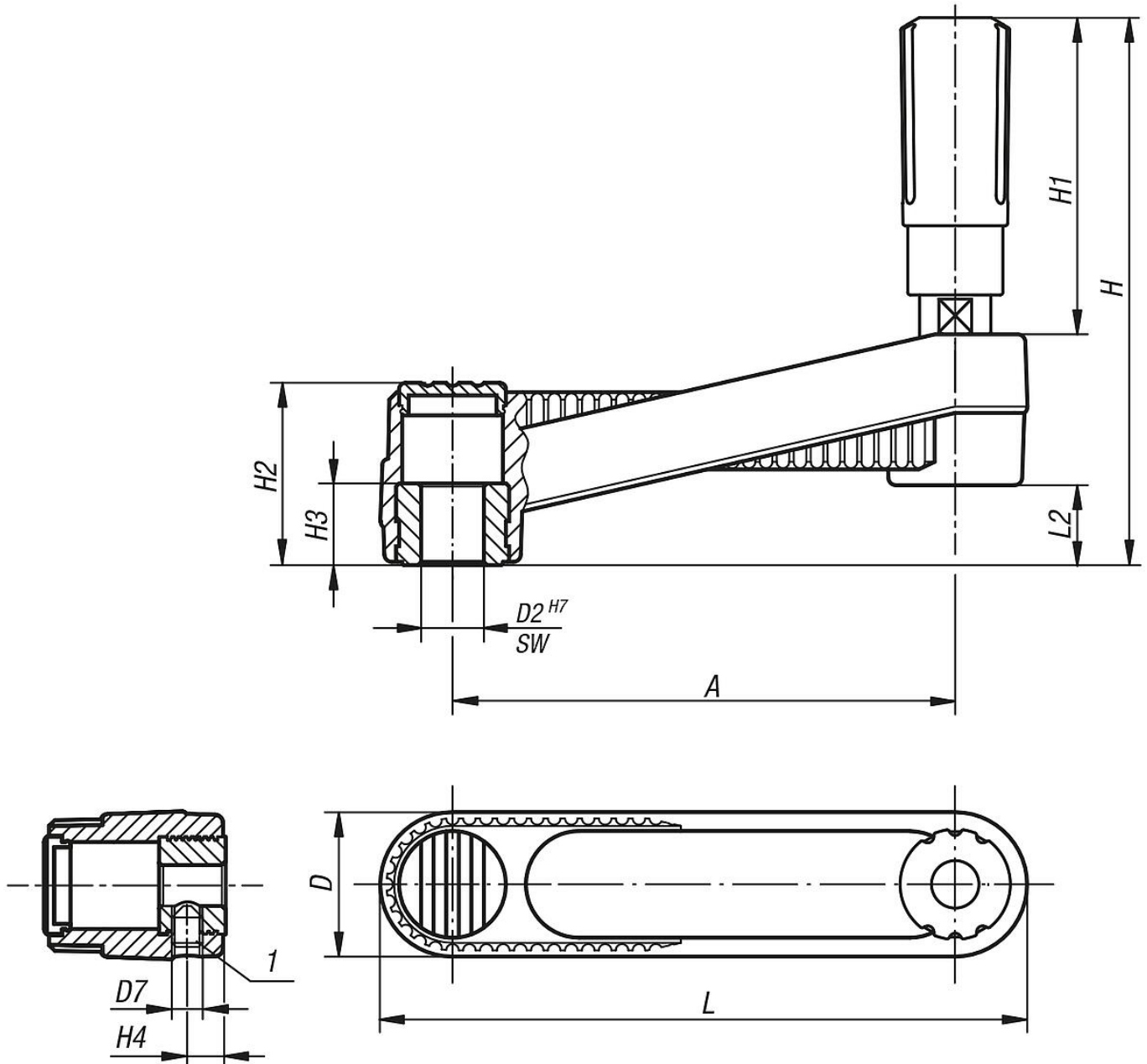
K1160 Cap screws with low head DIN 6912

Drawing reference:

1) Position of the transverse bore to the keyway is offset by 90°.

Crank handles with cylindrical revolving grip, with square socket

Drawings



Item No.	Version 1	Version 2	Component material	A	D	D7	H	H1	H2	H3	H4	L	L2	SW
K0659.4108	square socket	without transverse hole	steel	80	24	-	85,8	49,1	28,5	13	-	104	12,7	8
K0659.4110	square socket	without transverse hole	steel	80	24	-	85,8	49,1	28,5	13	-	104	12,7	10
K0659.4210	square socket	without transverse hole	steel	100	29	-	107,1	61,4	35,5	13	-	129	15,7	10
K0659.4212	square socket	without transverse hole	steel	100	29	-	107,1	61,4	35,5	13	-	129	15,7	12
K0659.4312	square socket	without transverse hole	steel	125	36	-	139,5	82,5	44	18,5	-	161	19,5	12
K0659.4314	square socket	without transverse hole	steel	125	36	-	139,5	82,5	44	18,5	-	161	19,5	14
K0659.41086	square socket	with transverse bore	steel	80	24	-	85,8	49,1	28,5	13	7,5	104	12,7	8
K0659.41106	square socket	with transverse bore	steel	80	24	-	85,8	49,1	28,5	13	7,5	104	12,7	10
K0659.42106	square socket	with transverse bore	steel	100	29	-	107,1	61,4	35,5	13	7,5	129	15,7	10
K0659.42126	square socket	with transverse bore	steel	100	29	-	107,1	61,4	35,5	13	7,5	129	15,7	12
K0659.43126	square socket	with transverse bore	steel	125	36	-	139,5	82,5	44	18,5	7,5	161	19,5	12
K0659.43146	square socket	with transverse bore	steel	125	36	-	139,5	82,5	44	18,5	7,5	161	19,5	14

