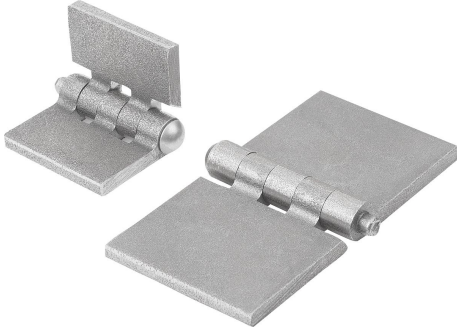


Hinges weldable

Item description/product images

METRIC
Parts



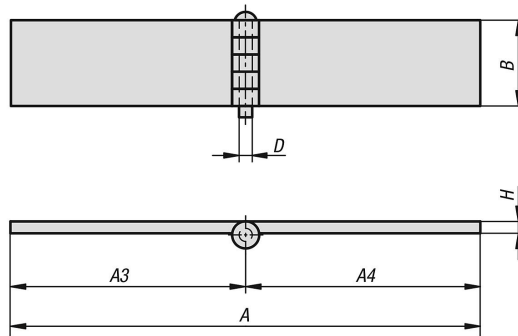
Description

Material:
Steel.

Version:
Bright.

Note:
The hinges are made of weldable profile steel.

Drawings



Weldable hinges

Order No.	A	A3	A4	B	D	H
K1140.04030040	80	40	40	30	4	3
K1140.04040040	80	40	40	40	4	3
K1140.06040030	60	30	30	40	6	5
K1140.06040060	120	60	60	40	6	5
K1140.06050060	120	60	60	50	6	5
K1140.06060060	120	60	60	60	6	5
K1140.08060080	160	80	80	60	8	6