

Tube clamps T-angle, stainless steel, Style B

Item description/product images

METRIC
Parts



Description

Material:

Stainless steel investment cast 1.4308 (AISI "316" equivalent).
ISO 4017 hex head screw and ISO 4032 nut, stainless steel.

Version:

Electropolished.

Note:

The tube clamps with diameters 30 and 40 mm have a silicone body that protects the thread of the hex head screw from contamination and damage.

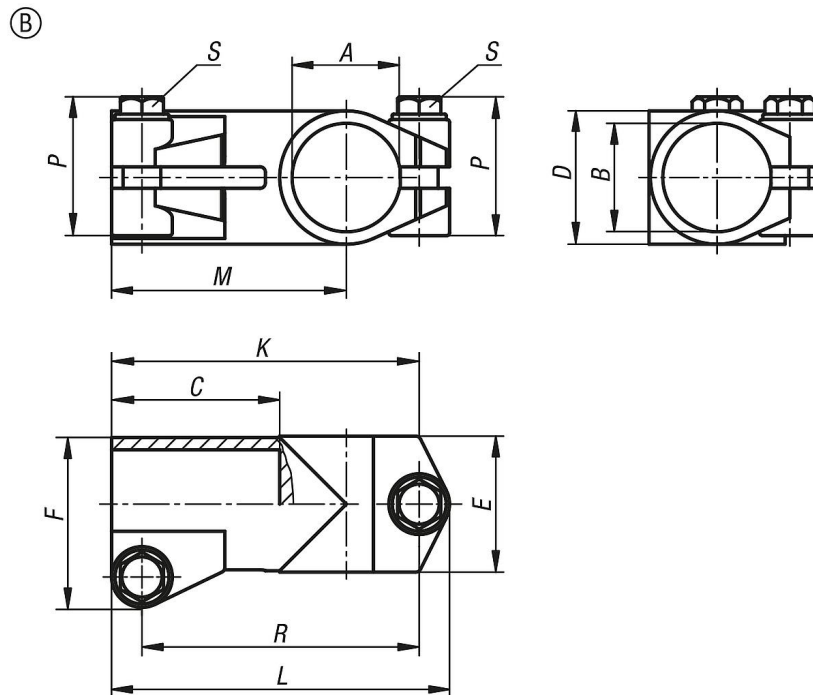
On request:

Adjustable handles for tightening.

Accessory:

- Round and square tubes K0493

Drawings



Order No.	style	A	B	C	D	E	F	K	L	M	P	R	S
K0475.13030	B	30,1	30,1	40	38,4	38	48	78	87	58	45.5	69	M8x30
K0475.14040	B	40,17	40,17	60	50,4	50	63	112	124,9	87	52	102,5	M10x35

